

# SECTION 1

# STEEL STRAIGHT PLOW

FOR SERIES 2700, 2800 AND 2900 SNOWPLOWS

## PLOW COMPONENTS

- PAGE 2 MOLDBOARD ASSEMBLIES
- PAGE 3 QUADRANT/PUSH FRAME ASSEMBLY
- PAGE 4 LIFT FRAME ASSEMBLY
- PAGE 5 POWER UNIT COVER ASSEMBLY  
POLY SNOW DEFLECTOR KITS
- PAGE 6 RUBBER SNOW DEFLECTOR KITS  
SNOW DEFLECTOR SPRING KIT
- PAGE 7 WEAR PLATE KIT  
CURB GUARD KITS
- PAGE 8 RUBBER CUTTING EDGES  
1/2" THICK CUTTING EDGE
- PAGE 9 WING KIT

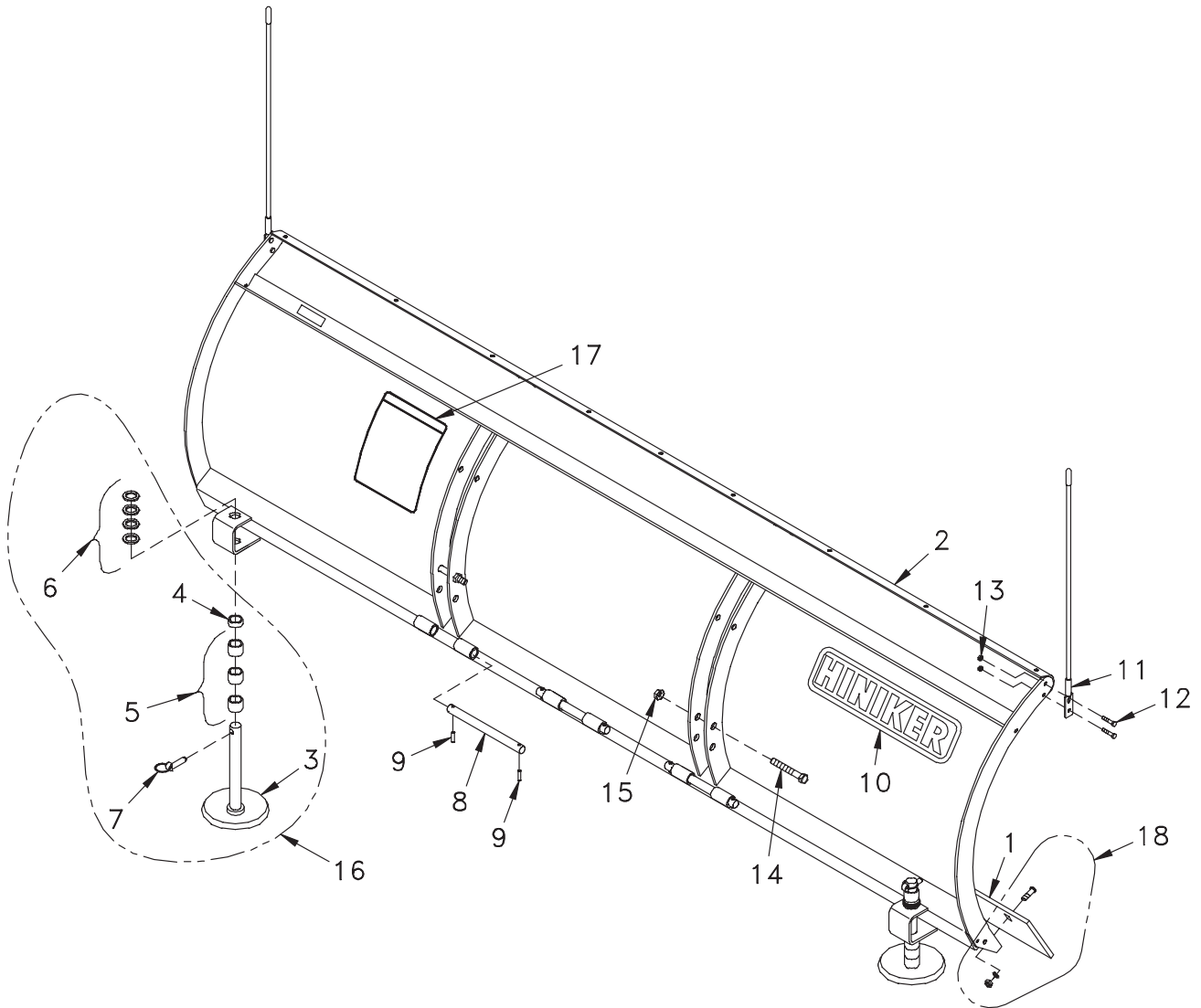
## HYDRAULIC COMPONENTS

- PAGE 9 HYDRAULIC OVERVIEW
- PAGE 10 POWER UNIT DB-7929-1
- PAGE 11 POWER UNIT DB-1164
- PAGE 12 HYDRAULIC CYLINDERS

## ELECTRICAL COMPONENTS

- PAGE 12 JOYSTICK CONTROLLER
- PAGE 13 UNDERHOOD WIRING HARNESS  
GRILL MOUNT PLATE
- PAGE 14 POWER CABLES  
PLOW WIRING HARNESS
- PAGE 15 COMPOSITE HEADLAMPS  
SEALED BEAM HEADLAMPS

MOLDBOARD ASSEMBLIES

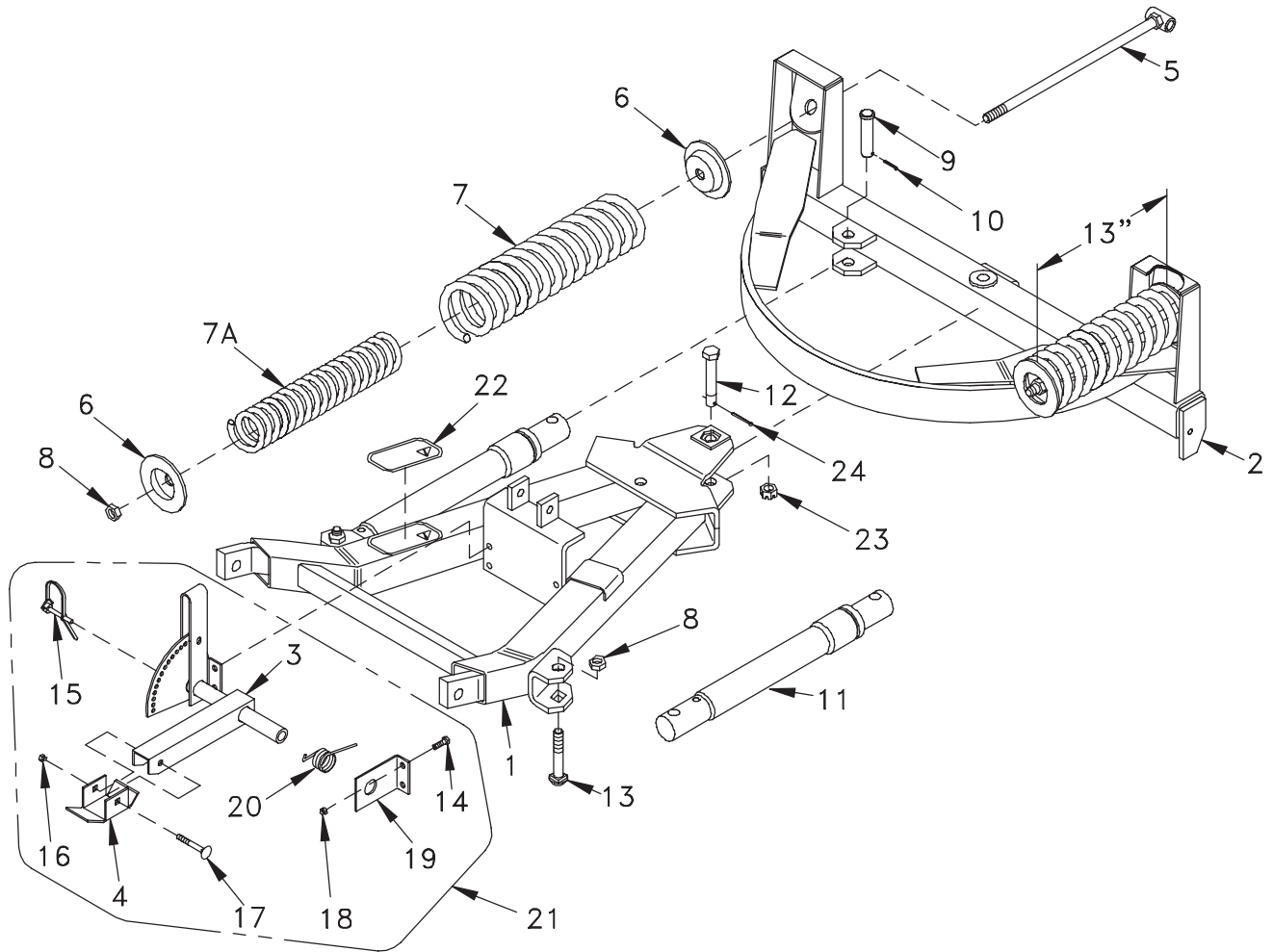


- 25010430 7 1/2' Moldboard Assembly
- 25010431 8' Moldboard Assembly
- 25010373 8 1/2' Moldboard Assembly

DWG NO. 3091B

REF. NO.	PART NUMBER	DESCRIPTION	QTY.	REF. NO.	PART NUMBER	DESCRIPTION	QTY.
1	25010377	9' Cutting Edge	1	7	25010319	Klik Pin	2
	25010378	8 1/2' Cutting Edge	1	8	25010376	8" Hinge Pin	3
	25010001	8' Cutting Edge	1	9	953-003-031	Slotted Spring Pin 1/4 x 1"	6
	25010002	7 1/2' Cutting Edge	1	10	79202024	Hiniker Decal	2
2	25010374	9' Moldboard Weldment	1	11	25010118	Red Blade Guide	2
	25010375	8 1/2' Moldboard Weldment	1	12	950-001-200	Hex Head Cap Screw 5/16-18 x 1 1/4 Gr. 5	4
	25010433	8' Moldboard Weldment	1	13	951-005-036	Lock Nut 5/16-18 - Mac Lock	4
	25010432	7 1/2' Moldboard Weldment	1	14	950-001-164	Hex Head Cap Screw 5/8-11 x 3 1/2 Gr. 5	2
3	25011478	Cast Iron Skid	2	15	951-005-044	Lock Nut 5/8-11 2-Way	2
4	25010048	1/2" Skid Spacer	2	16	25011487	Cast Iron Skid Assembly	2
5	25010049	1" Skid Spacer	6	17	25012270	Decal - Snowplow Removal	1
6	952-004-071	Machine Bushing 1 5/32 x 1 1/2 x 10 GA	8	18	25011051	Cutting Edge Bolt Kit	1

QUADRANT / PUSHFRAME ASSEMBLY

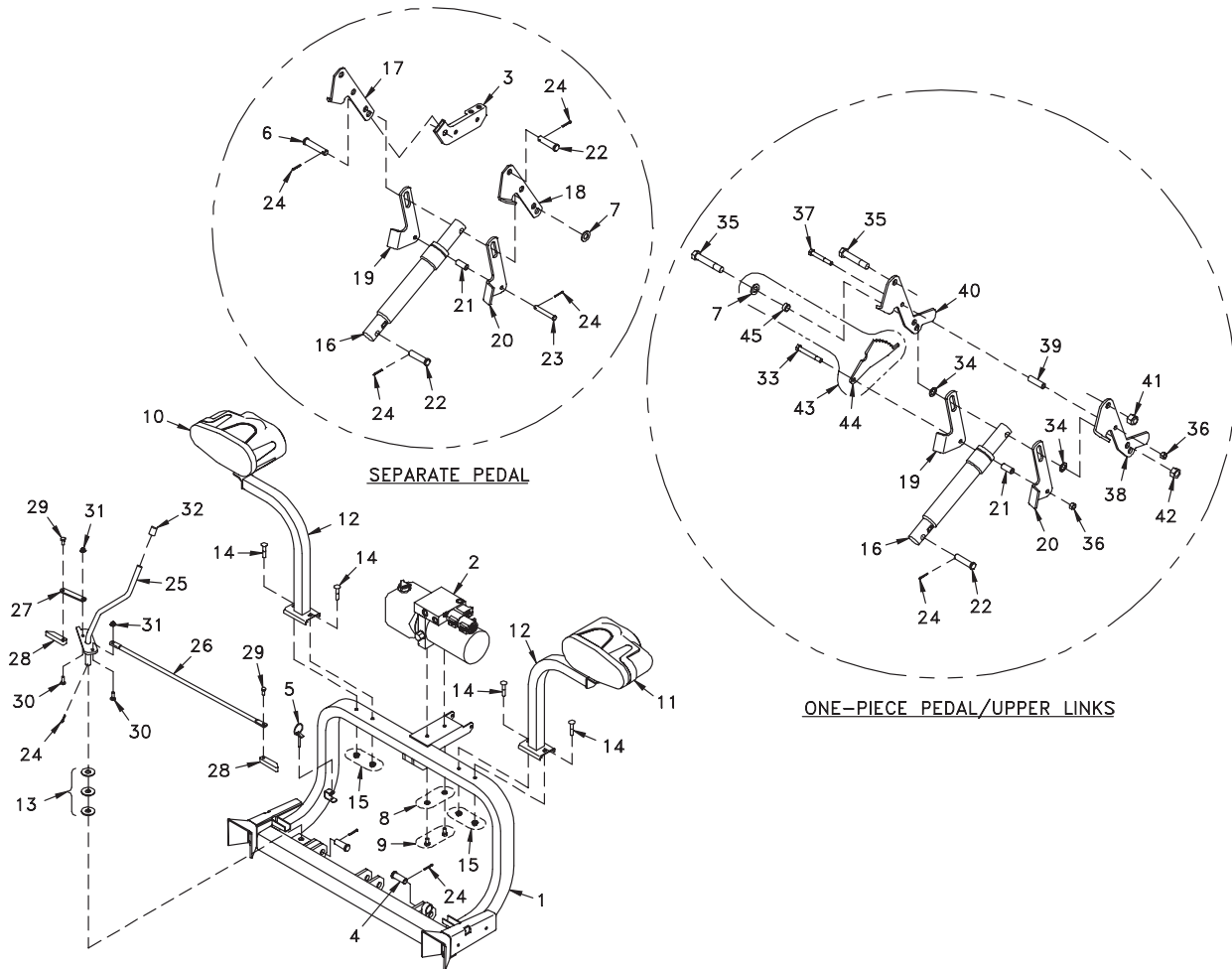


DWG NO. 3844A

REF. NO.	PART NUMBER	DESCRIPTION	QTY.	REF. NO.	PART NUMBER	DESCRIPTION	QTY.
1	25010807	Push Frame / Decal Assembly	1	13	030-16198	Carriage Bolt 3/4-10 x 3 1/2 Gr. 5	2
2	25010393	Quadrant Weldment	1	14	950-001-105	Hex Head Cap Screw 3/8-16 x 1 Gr. 5	4
3	25010800	Lever Weldment	1	15	25010797	Tab Lock Pin	1
4	25010801	Stand Foot	1	16	951-005-036	Lock Nut 5/16-18 Mac Lock	1
5	25010058	Pull Rod Weldment	2	17	950-003-074	Carriage Bolt 5/16-18 x 2 1/2 Gr. 5	1
6	81004090	Washer	4	18	951-005-003	Lock Nut 3/8-16 Mac Lock	4
7	81004098	Compression Spring	2	19	25010798	Bracket	1
7A	25010422	Compression Spring (8 1/2' & 9' Plows Only)	2	20	25010795	Helical Torsion Spring	1
8	951-005-037	2-Way Lock Nut 3/4-10	4	21	25011050	Park Stand Kit	1
9	953-002-032	Clevis Pin 3/4 x 3	2	22	25010697	Caution Decal	1
10	035-42033	Cotter Pin 5/32 x 1 1/4	2	23	034-00136	Slotted Nut 3/4-10	1
11	25010523	1 1/2" x 10" ORB Cylinder (See Sec. 1, Pg. 12)	2	24	953-001-008	Cotter Pin 3/16 x 1 3/4	1
12	25012615	Drilled Bolt 3/4-10 x 4 1/2 Gr. 5	1				

STEEL STRAIGHT PLOW 2752-2902

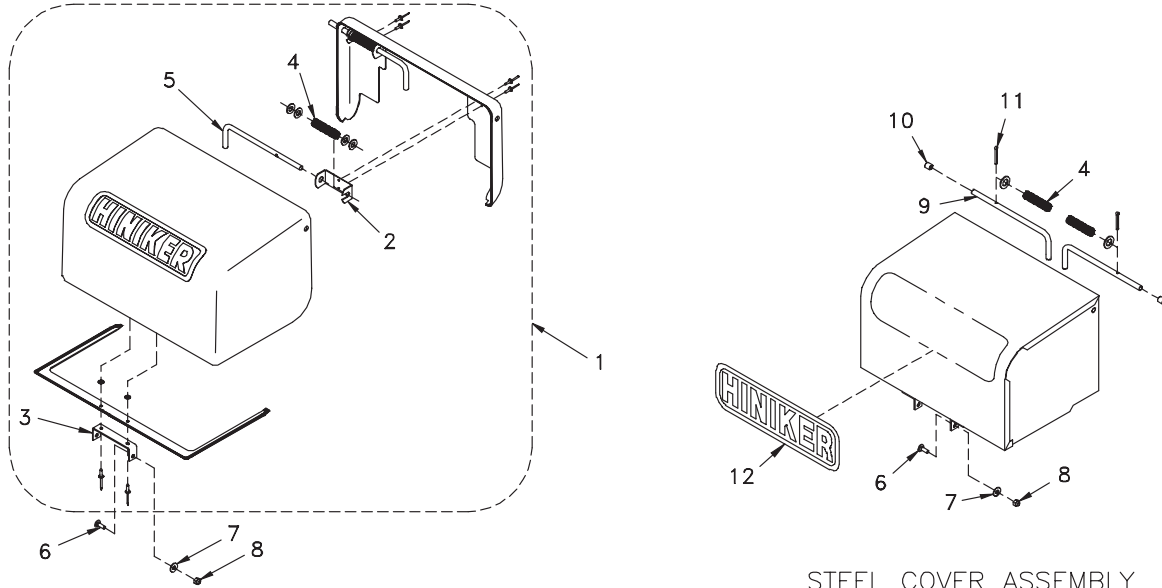
LIFT FRAME ASSEMBLY



DWG NO. 3845C

REF. NO.	PART NUMBER	DESCRIPTION	QTY.	REF. NO.	PART NUMBER	DESCRIPTION	QTY.
1	25012583	Frame Weldment	1	23	953-002-030	Clevis Pin 1/2 x 3 1/2	1
2	25012775	Power Unit (See Sec. 1, Page 10)	1	24	035-42033	Cotter Pin 5/32 x 1 1/4, Separate Pedal	7
3	25010805	Pedal Weldment	1		035-42033	Cotter Pin 5/32 x 1 1/4, One-Piece Pedal/Link	4
4	953-002-031	Clevis Pin 3/4 x 2	2	25	25010410	Handle Weldment	1
5	703-00209	Klik Pin	1	26	25010274	Long Tie Rod	1
6	953-002-035	Clevis Pin 3/4 x 3 1/4	1	27	25010275	Short Tie Rod	1
7	033-12013	SAE Flat Washer 3/4 Inch	1	28	25010276	Slider	2
8	952-001-007	Lock Washer 3/8 Inch	2	29	950-011-042	Hex Head Cap Screw 5/16-18 x 3/4 Nylon Dri-Lock	2
9	950-001-089	Hex Head Cap Screw 3/8-16 x 3/4 Gr. 5	2	30	030-16042	Carriage Bolt 5/16-18 x 1 Gr. 5	2
10	25012793	LH Light Assembly (See Sec. 1, Page 15)	1	31	951-005-036	Lock Nut 5/16-18 Mac Lock	2
11	25012792	RH Light Assembly (See Sec. 1, Page 15)	1	32	25011230	Vinyl Cap	1
12	25011334	Light Bracket Weldment, 19 1/2" Tall	2	33	950-001-309	Hex Head Cap Screw 1/2-13 x 4 Gr. 5, 7/8" Thd Lgth	1
	25010050	Light Bracket Weldment, 16 1/2" Tall	2	34	952-004-003	Machine Bushing 25/32 x 1 1/4 x .075	2
13	952-002-007	Flat Washer 5/8 Inch	3	35	950-001-310	Hex Head Cap Screw 3/4-10 x 4 1/4 Gr. 5, 1 1/4" Thd Lgth	2
14	950-003-070	Carriage Bolt 3/8-16 x 2 Gr. 5	4	36	10304	Lock Nut 1/2-13, 2-Way	2
15	951-005-003	Lock Nut 3/8-16 Mac Lock	4	37	950-001-142	Hex Head Cap Screw 1/2-13 x 3 1/2 Gr. 5	1
16	25011581	1 1/2 x 9 Cylinder (See Sec. 1, Page 12)	1	38	25011045	RH Upper Link	1
	25010524	1 1/2 x 8 Cylinder (See Sec. 1, Page 12)	1	39	25011053	Upper Link Spacer	1
17	25010392	LH Upper Link, Separate Pedal	1	40	25011044	LH Upper Link	1
18	25010391	RH Upper Link, Separate Pedal	1	41	951-003-010	Lock Nut 3/4-10 Nylon Insert	1
19	25010389	LH Lower Link	1	42	951-005-037	Lock Nut 3/4-10 2-Way	1
20	25010390	RH Lower Link	1	43	25011986	Stop Plate Kit (Includes Lock Nut #42)	1
21	25010114	Lower Link Spacer	1	44	25011984	Stop Plate	1
22	953-002-032	Clevis Pin 3/4 x 3, Separate Pedal	2	45	25011885	Bushing	1
	953-002-032	Clevis Pin 3/4 x 3, One-Piece Pedal/Link	1				

POWER UNIT COVER ASSEMBLY



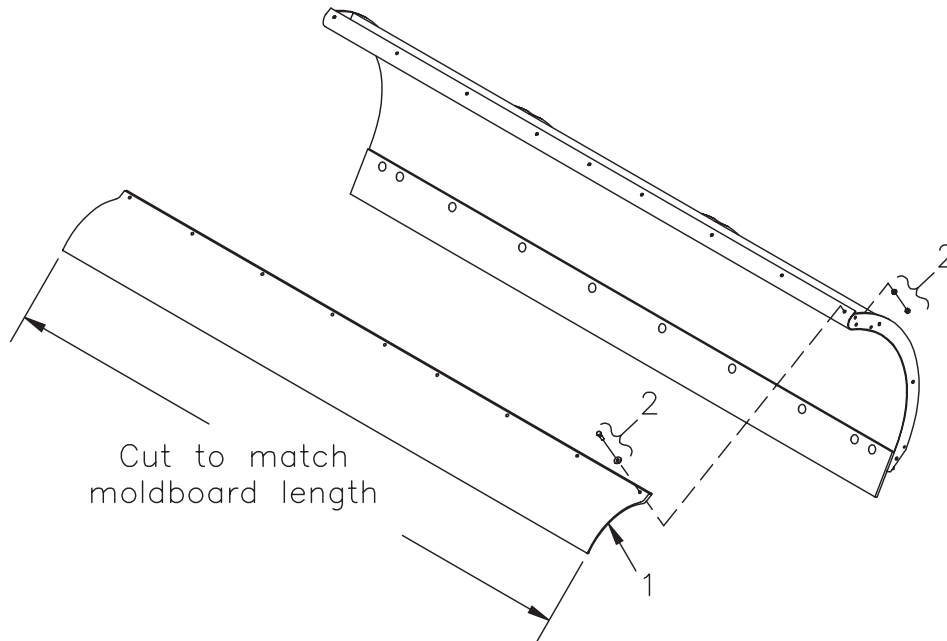
PLASTIC COVER ASSEMBLY

STEEL COVER ASSEMBLY

DWG. NO. 5872

REF. NO.	PART NUMBER	DESCRIPTION	QTY.	REF. NO.	PART NUMBER	DESCRIPTION	QTY.
1	25011070	Plastic Cover Assembly (Includes Items 2-5)	1	7	952-002-011	Flat Washer, 1/4 Inch	2
2	25011073	Clevis	2	8	060954	Lock Nut 1/4-20 Nylon Insert	2
3	25011072	Clevis	1	9	25010716	Rod - Steel Cover Assembly	2
4	25010717	Compression Spring	2	10	25010718	Vinyl Cover Cap	2
5	25011071	Rod - Plastic Cover Assembly	2	11	035-42033	Cotter Pin 5/32 x 1 1/4	2
6	031-10657	Machine Screw 1/4-20 x 3/4 Slotted Round Head	2	12	25010441	Hiniker Decal	1

POLY SNOW DEFLECTOR KITS

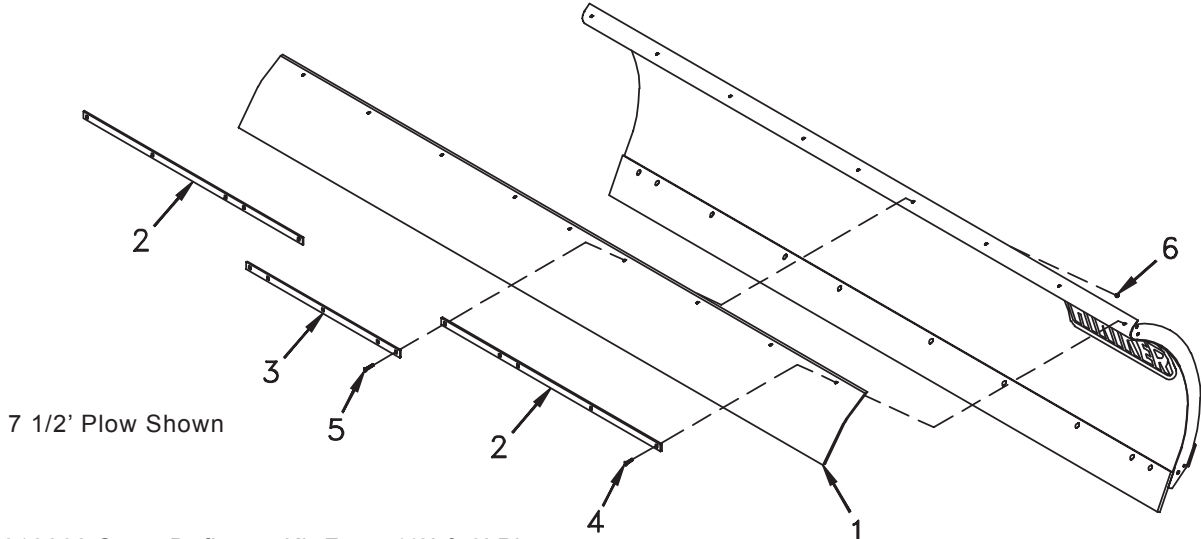


DWG. NO. 5680

REF. NO.	PART NUMBER	DESCRIPTION	QTY.	REF. NO.	PART NUMBER	DESCRIPTION	QTY.
1	25011789	Poly Snow Deflector Kit 7 1/2' & 8' Plows	1	2	25011793	Bolt Box, Snow Deflector (Included With Kits)	1
	25011790	Poly Snow Deflector Kit 8 1/2' & 9' Plows	1				
	25011983	Poly Snow Deflector Kit 8 1/2' & 9' Plows (Two Extrusion Pieces)	1				

STEEL STRAIGHT PLOW 2752-2902

RUBBER SNOW DEFLECTOR KITS

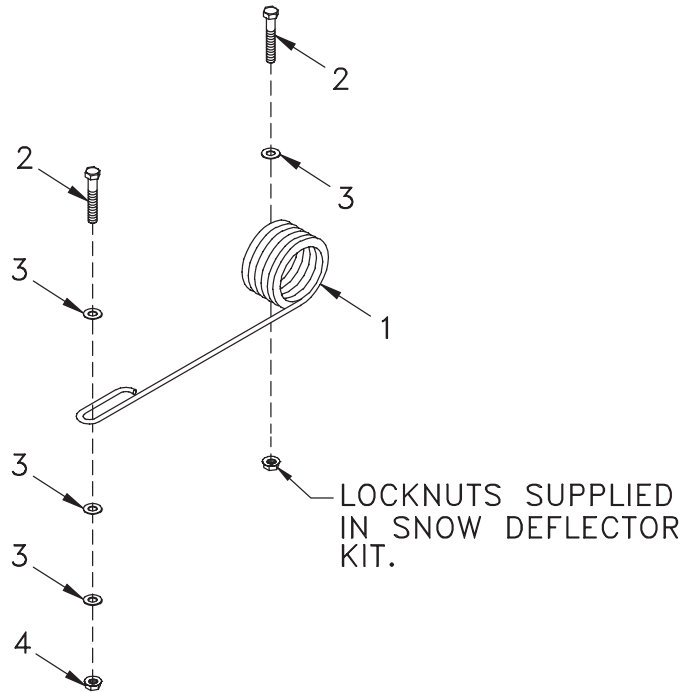


25010262 Snow Deflector Kit For 7 1/2' & 8' Plows  
25010420 Snow Deflector Kit For 8 1/2' & 9' Plows

DWG. NO. 3087

REF. NO.	PART NUMBER	DESCRIPTION	QTY.	REF. NO.	PART NUMBER	DESCRIPTION	QTY.
1	25010312	Snow Deflector (7 1/2' & 8' Plows)	1	4	030-16042	Carriage Bolt 5/16-18 x 1 Gr. 5 (7 1/2' & 8' Plows)	7
	25010434	Snow Deflector (8 1/2' & 9' Plows)	1		030-16042	Carriage Bolt 5/16-18 x 1 Gr. 5 (8 1/2' & 9' Plows)	8
2	25010313	Outer Strap	2	5	030-16043	Carriage Bolt 5/16-18 x 1 1/4 Gr. 5	2
3	25010314	Inner Strap (7 1/2' & 8' Plows)	1	6	951-005-036	Lock Nut 5/16-18 Mac Lock (7 1/2' & 8' Plows)	9
	25010435	Inner Strap (8 1/2' & 9' Plows)	1		951-005-036	Lock Nut 5/16-18 Mac Lock (8 1/2' & 9' Plows)	10

SNOW DEFLECTOR SPRING KIT

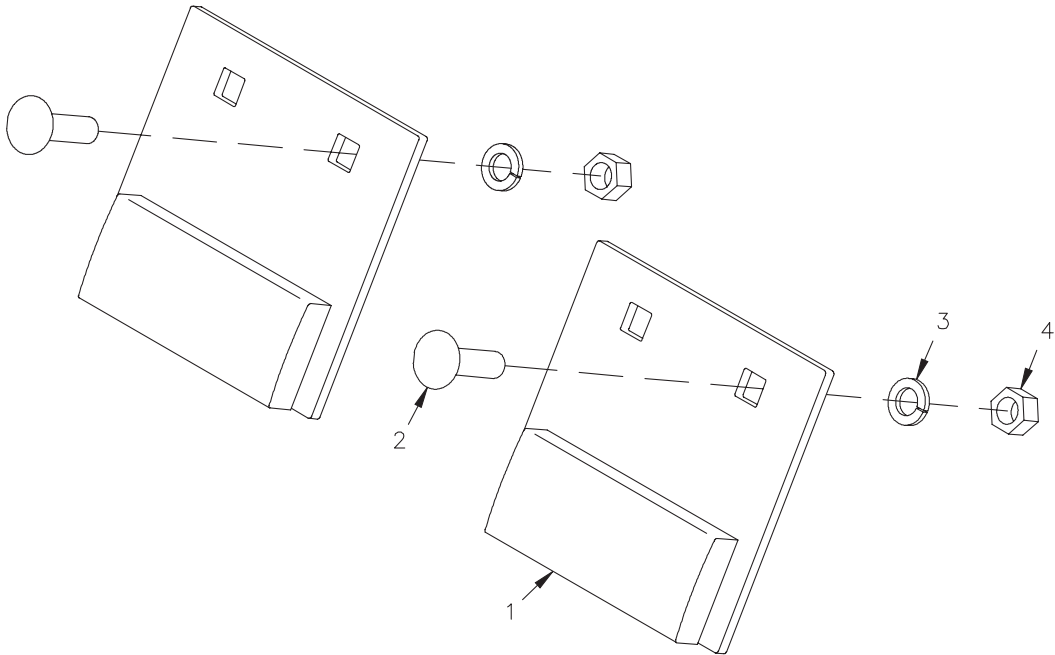


25010417 Snow Deflector Spring Kit

DWG. NO. 3197

REF. NO.	PART NUMBER	DESCRIPTION	QTY.	REF. NO.	PART NUMBER	DESCRIPTION	QTY.
1	25010414	Helical Torsion Spring	10	3	952-002-002	Flat Washer 5/16 Inch	40
2	031-06057	Hex Head Cap Screw 5/16-18 x 1 1/2 Gr. 5	20	4	951-005-036	Lock Nut 5/16-18 Mac Lock	10

WEAR PLATE KIT

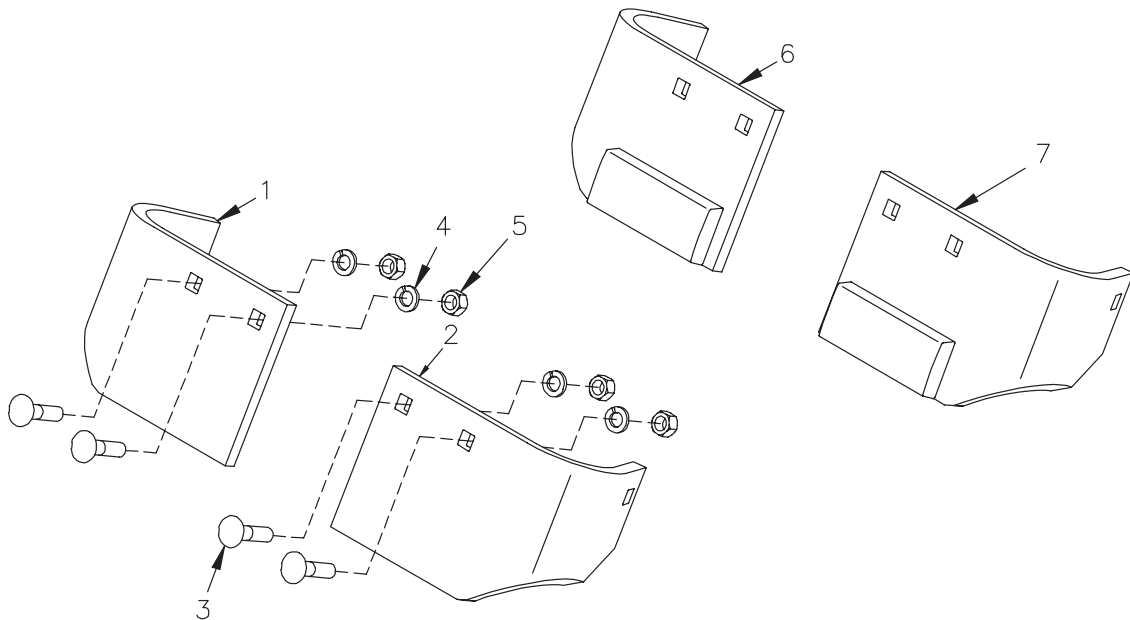


25012587 Wear Plate Kit

DWG. NO. 6331

REF. NO.	PART NUMBER	DESCRIPTION	QTY.	REF. NO.	PART NUMBER	DESCRIPTION	QTY.
1	25012588	Wear Plate Weldment	2	3	952-001-004	Lock Washer 1/2 Inch	4
2	950-003-058	Carriage Bolt 1/2-13 x 1 3/4 Gr. 5	4	4	951-001-007	Hex Nut 1/2-13	4

CURB GUARD KITS



25011695 Curb Guard Kit - Standard

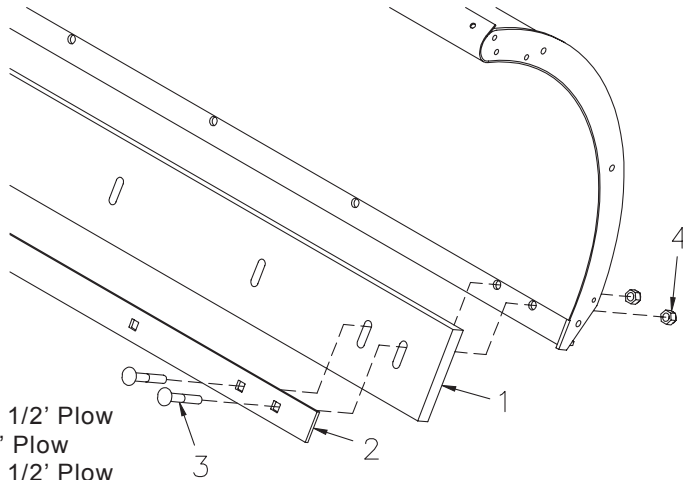
25012726 Curb Guard Kit With Wear Bars

DWG. NO. 5486

REF. NO.	PART NUMBER	DESCRIPTION	QTY.	REF. NO.	PART NUMBER	DESCRIPTION	QTY.
1	25011712	RH Curb Guard - Standard	1	5	951-001-007	Hex Nut 1/2-13	4
2	25011713	LH Curb Guard - Standard	1	6	25012722	RH Curb Guard With Wear Bar	1
3	950-003-025	Carriage Bolt 1/2-13 x 2 Gr. 5	4	7	25012723	LH Curb Guard With Wear Bar	1
4	952-001-004	Lock Washer 1/2 Inch	4				

STEEL STRAIGHT PLOW 2752-2902

RUBBER CUTTING EDGES

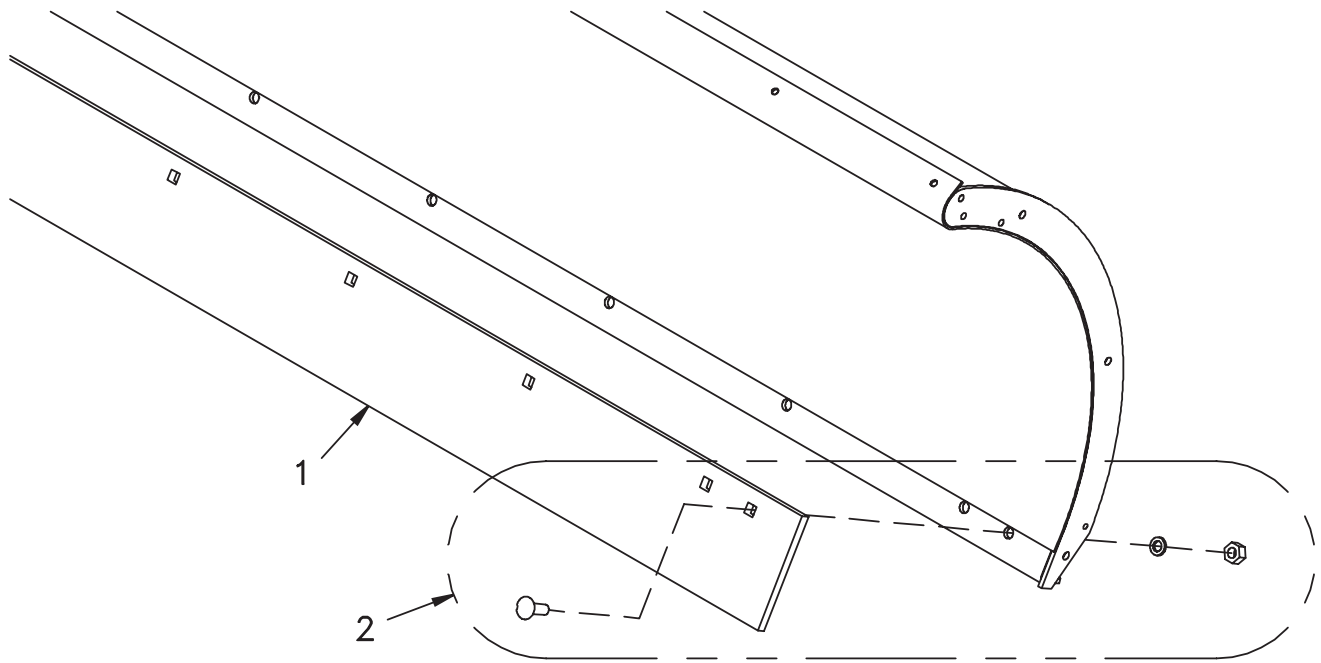


- 25011698 Rubber Cutting Edge Kit 7 1/2' Plow
- 25011699 Rubber Cutting Edge Kit 8' Plow
- 25011700 Rubber Cutting Edge Kit 8 1/2' Plow
- 25011701 Rubber Cutting Edge Kit 9' Plow

DWG. NO. 5682

REF. NO.	PART NUMBER	DESCRIPTION	QTY.	REF. NO.	PART NUMBER	DESCRIPTION	QTY.
1	25011753	Rubber Cutting Edge, 7 1/2' Plow	1	3	950-003-051	Carriage Bolt 1/2-13 x 2 1/4 Gr. 5 (7 1/2' & 8' Plows)	10
	25011786	Rubber Cutting Edge, 8' Plow	1		950-003-051	Carriage Bolt 1/2-13 x 2 1/4 Gr. 5 (8 1/2' & 9' Plows)	11
	25011756	Rubber Cutting Edge, 8 1/2' Plow	1	4	951-003-009	Lock Nut 1/2-13 Nylon Insert (7 1/2' & 8' Plows)	10
	25011760	Rubber Cutting Edge, 9' Plow	1		951-003-009	Lock Nut 1/2-13 Nylon Insert (8 1/2' & 9' Plows)	11
2	25011755	Strap, 7 1/2' Plow	1				
	25011788	Strap, 8' Plow	1				
	25011758	Strap, 8 1/2' Plow	1				
	25011762	Strap, 9' Plow	1				

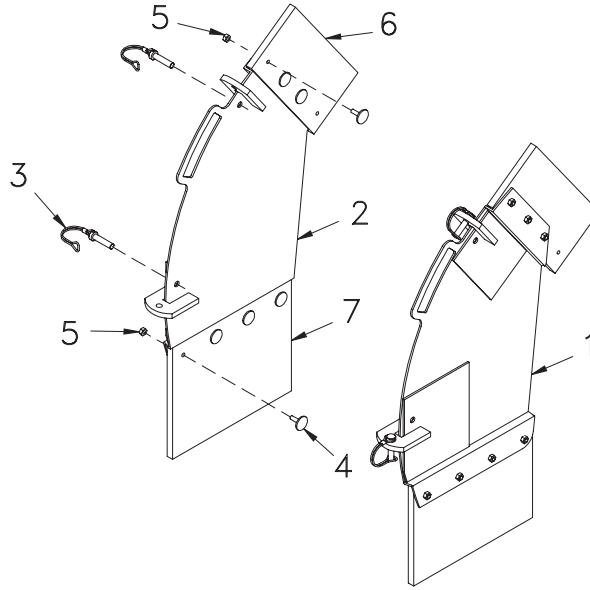
1/2" THICK CUTTING EDGES



DWG. NO. 5873

REF. NO.	PART NUMBER	DESCRIPTION	QTY.	REF. NO.	PART NUMBER	DESCRIPTION	QTY.
1	25012034	1/2" Thick Cutting Edge - 7 1/2' Plow	1	2	25011051	Cutting Edge Bolt Kit	1
	25012035	1/2" Thick Cutting Edge - 8' Plow	1				
	25012036	1/2" Thick Cutting Edge - 8 1/2' Plow	1				

WING KIT

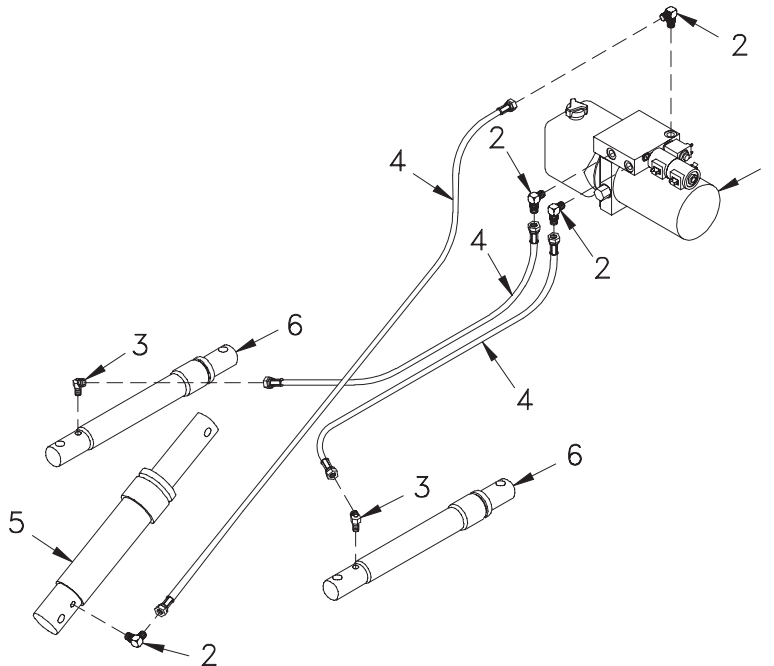


25010906 Wing Kit

DWG. NO. 5677

REF. NO.	PART NUMBER	DESCRIPTION	QTY.	REF. NO.	PART NUMBER	DESCRIPTION	QTY.
1	25010845	RH Wing Weldment	1	6	25010841	Upper Wing Rubber	2
2	25010844	LH Wing Weldment	1	7	25010840	Lower Wing Rubber	2
3	25010851	Lynch Pin 3/8 x 1 3/8	4		25010852	RH Wing Assembly	1
4	950-011-051	Elevator Bolt 1/4-20 x 1"	14		25010853	LH Wing Assembly	1
5	951-001-003	Hex Nut 1/4-20	14				

HYDRAULIC OVERVIEW

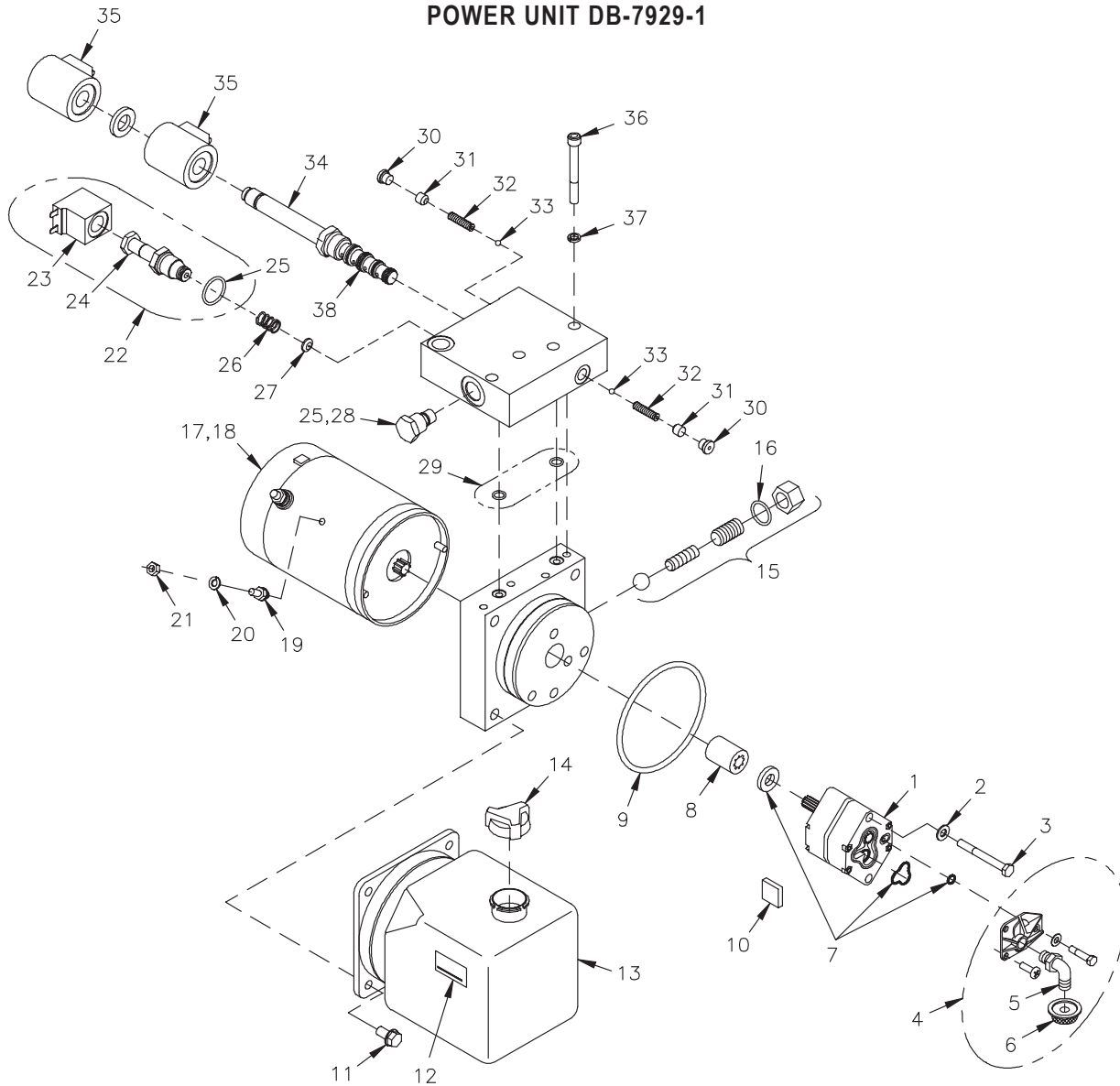


DWG. NO. 6554

REF. NO.	PART NUMBER	DESCRIPTION	QTY.	REF. NO.	PART NUMBER	DESCRIPTION	QTY.
1	25012775	Power Unit (See Sec. 1, Pg. 10)	1	5	25011581	1 1/2 x 9 Cylinder (See Sec. 1, Pg. 12)	1
2	956-005-022	90° Adapter 9/16 ORB x 9/16 JIC	4		25010524	1 1/2 x 8 Cylinder (See Sec. 1, Pg. 12)	1
3	956-005-023	45° Adapter 9/16 ORB x 9/16 JIC	2	6	25010523	1 1/2 x 10 Cylinder (See Sec. 1, Pg. 12)	2
4	957-010-005	Hydraulic Hose Assembly 1/4 x 32"	3				

STEEL STRAIGHT PLOW 2752-2902

POWER UNIT DB-7929-1

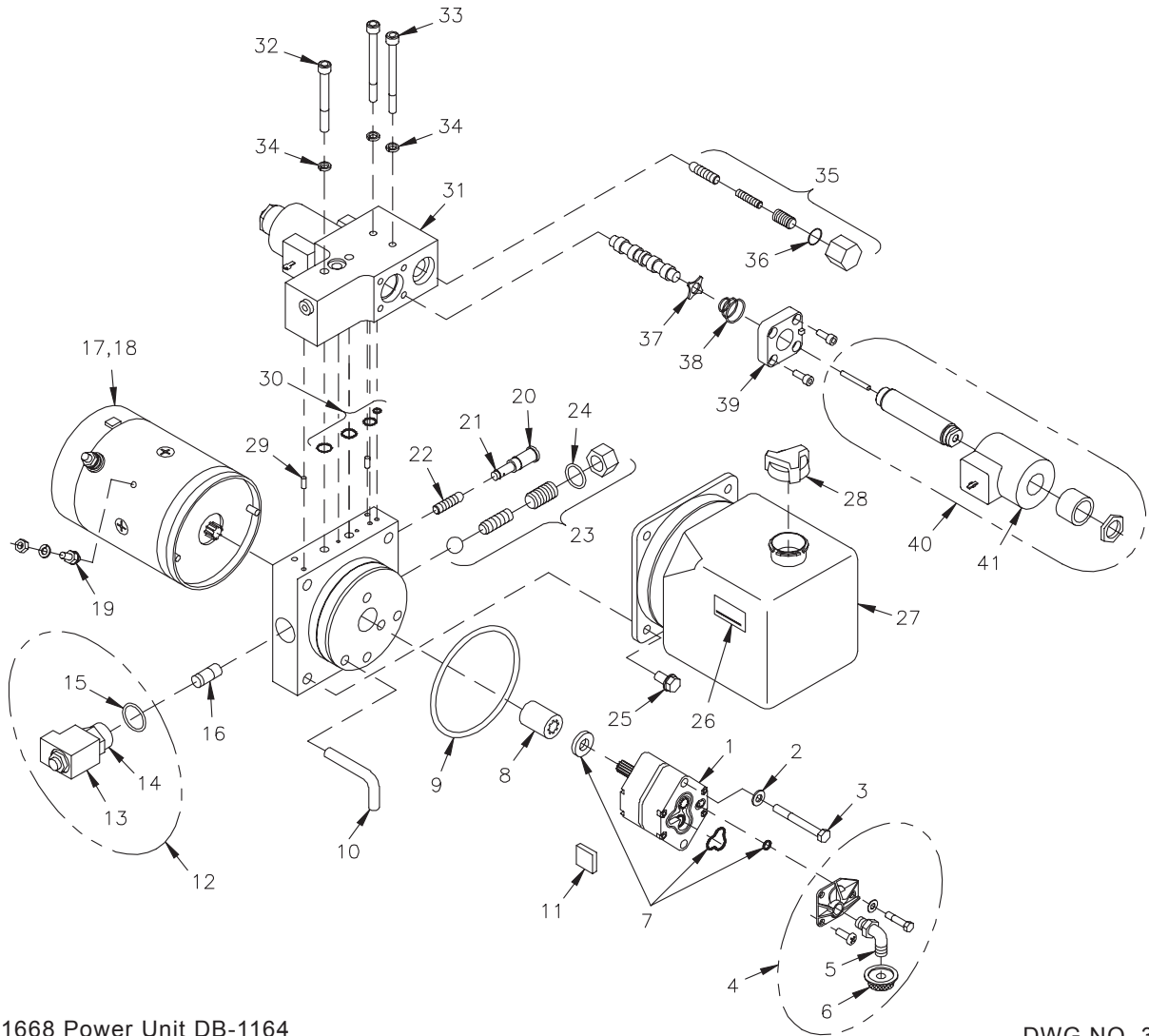


25012775 Power Unit DB-7929-1

DWG NO. 6627

REF. NO.	PART NUMBER	DESCRIPTION	QTY.	REF. NO.	PART NUMBER	DESCRIPTION	QTY.
1	25010239	Pump Assembly	1	20	952-001-001	Lock Washer 1/4 Inch	1
2	033-12007	SAE Flat Washer, 5/16 Inch	2	21	951-001-003	Hex Nut 1/4-20	1
3	950-001-099	Hex Head Cap Screw 5/16-24 x 2 3/4 Gr. 5	2	22	25011654	Release Valve Kit, Double Spade Coil	1
4	25010332	Inlet Plumbing Kit	1	23	25011667	Solenoid Coil 10V DC	1
5	25010244	Plumbing Elbow	1	24	25010544	Cartridge Release Valve	1
6	25010221	Filter	1	25	25010992	O-Ring Kit	1
7	25010334	Pump O-Ring Kit	1	26	25012674	Spring	1
8	25010214	Coupling	1	27	25012677	Return Orifice	1
9	25010236	O-Ring	1	28	25010746	Check Valve	1
10	25010220	Plumbing Magnet	1	29	25010762	Manifold O-Ring Kit	1
11	950-004-071	Machine Screw #12-24 x 1/2 Hex Washer Head	4	30	25012686	ORB Plug	2
12	25010436	Decal - Fill Line	1	31	25012685	Set Screw 3/8-24 x .38 Self Lock	2
13	25010240	Plastic Tank	1	32	25012684	Spring	2
14	25010217	Plastic Breather	1	33	25012683	Ball .25 Diameter Steel	2
15	25010330	Adjustable Relief Valve Kit	1	34	25012688	Directional Valve	1
16	25010518	Adjustable Relief Valve O-Ring	1	35	25012687	Solenoid Coil 10V DC (Double Spade)	2
17	25010230	Motor 12V DC	1	36	950-004-115	Socket Head Cap Screw W/Thread Lock 1/4-20 x 1 3/4	4
18	25010337	Motor Brush Kit	1	37	952-004-080	Lock Washer 1/4 x .363 O.D.	4
19	25012673	Ground Stud	1	38	25013107	Seal Kit	1

POWER UNIT DB-1164



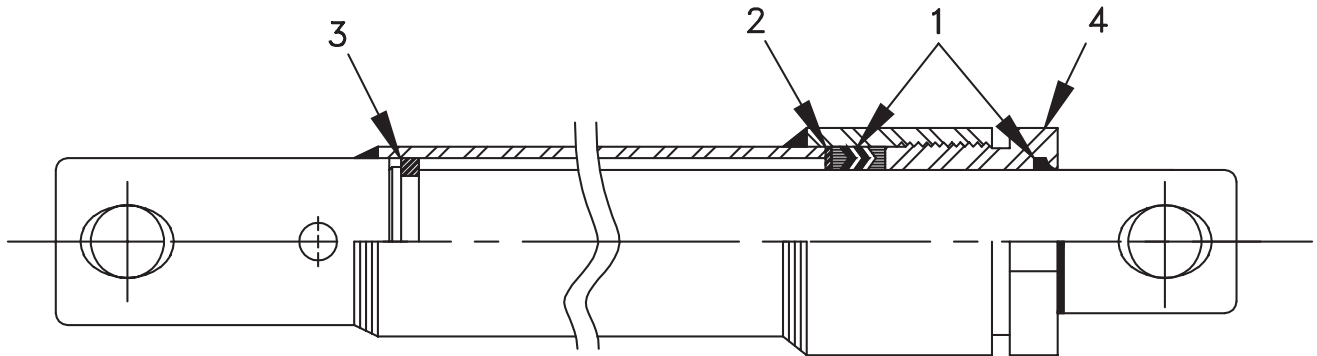
25011668 Power Unit DB-1164

DWG NO. 3502B

REF. NO.	PART NUMBER	DESCRIPTION	QTY.	REF. NO.	PART NUMBER	DESCRIPTION	QTY.
1	25010239	Pump Assembly	1	21	25010477	Check Valve O-Ring Kit	1
2	033-12007	SAE Flat Washer 5/16 Inch	2	22	25010241	Spring & Ball Assembly	1
3	950-001-099	Hex Head Cap Screw 5/16-24 x 2 3/4 Gr. 5	2	23	25010330	Adjustable Relief Valve Kit	1
4	25010332	Inlet Plumbing Kit	1	24	25010518	Adjustable Relief Valve O-Ring	1
5	25010244	Plumbing Elbow	1	25	950-004-071	Machine Screw #12-24 x 1/2 Hex Washer Head	4
6	25010221	Filter	1	26	25010436	Decal - Fill Line	1
7	25010334	Pump O-Ring Kit	1	27	25010240	Plastic Tank	1
8	25010214	Coupling	1	28	25010217	Plastic Breather	1
9	25010236	O-Ring	1	29	25010235	Pin 1/8 x 1/4	3
10	25010549	Return Tube	1	30	25010335	Directional Valve O-Ring Kit	1
11	25010220	Plumbing Magnet	1	31	25010533	U-Valve Assembly	1
12	25011654	Release Valve Kit, Double Spade Coil	1	32	950-004-114	Socket Head Cap Screw W/Thread Lock 1/4-20 x 2 1/8	2
	25011920	Release Valve Kit, Double Spade W/ Ground Wire	1	33	950-004-113	Socket Head Cap Screw W/Thread Lock #12-24 x 2 1/2	2
13	25011667	Solenoid Coil, Double Spade	1	34	952-004-080	Lock Washer 1/4 x .363 O.D.	4
	25011917	Solenoid Coil, Double Spade W/Ground Wire	1	35	25010336	Crossover Relief Valve Kit	2
14	25010544	Cartridge Release Valve	1	36	25010519	Crossover Relief Valve O-Ring	2
15	25010992	O-Ring Kit	1	37	25012636	Shim	2
16	25010542	Flow Control Valve	1	38	25012637	Spring	2
17	25010230	Motor 12V DC	1	39	25012639	Mount Block With O-Ring	2
18	25010337	Motor Brush Kit	1	40	25010333	Directional Valve Coil Kit	2
19	25012673	Ground Stud	1	41	25010541	Coil	2
20	25010228	Check Valve Assembly	1				

STEEL STRAIGHT PLOW 2752-2902

HYDRAULIC CYLINDERS

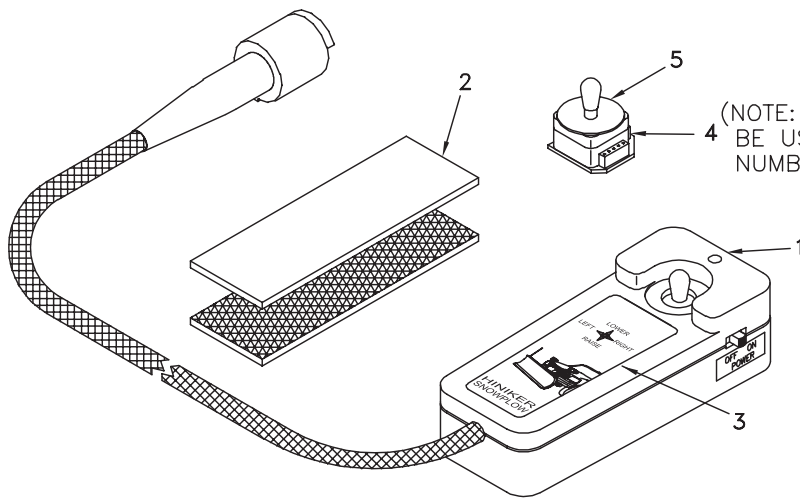


25010523 1 1/2 x 10 Cylinder  
 25011581 1 1/2 x 9 Cylinder  
 25010524 1 1/2 x 8 Cylinder

DWG. NO. 3706

REF. NO.	PART NUMBER	DESCRIPTION	QTY.	REF. NO.	PART NUMBER	DESCRIPTION	QTY.
1	25010464	Seal Kit	1	3	25010017	Guide Ring	1
2	25010016	Seat Ring	1	4	25010018	Packing Nut	1

JOYSTICK CONTROLLER

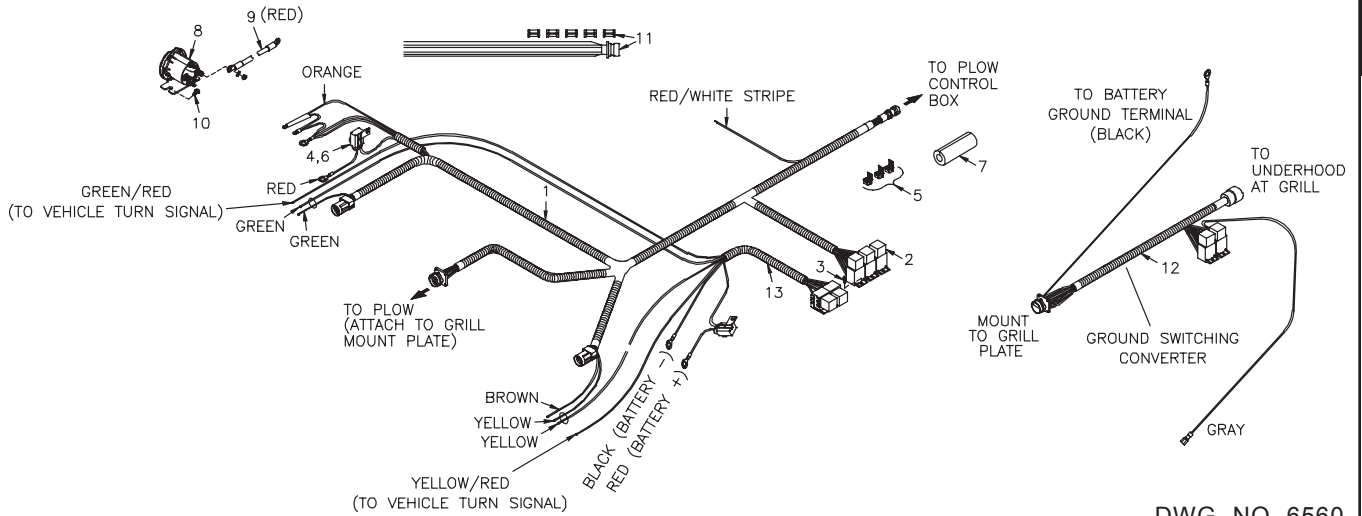


(NOTE: REPLACEABLE SWITCH ASSEMBLY CAN ONLY BE USED IN CONTROLLERS WITH SERIAL NUMBERS STARTING WITH SR)

DWG. NO. 5925

REF. NO.	PART NUMBER	DESCRIPTION	QTY.	REF. NO.	PART NUMBER	DESCRIPTION	QTY.
1	36014020	Joystick Striaight W/Replaceable Switch	1	4	36014019	Replaceable Switch Assembly	1
2	39108005	Hook & Loop Assembly	1	5	36716033	Gasket	1
3	39302141	Decal, Straight Joystick, 2 Sided	1				

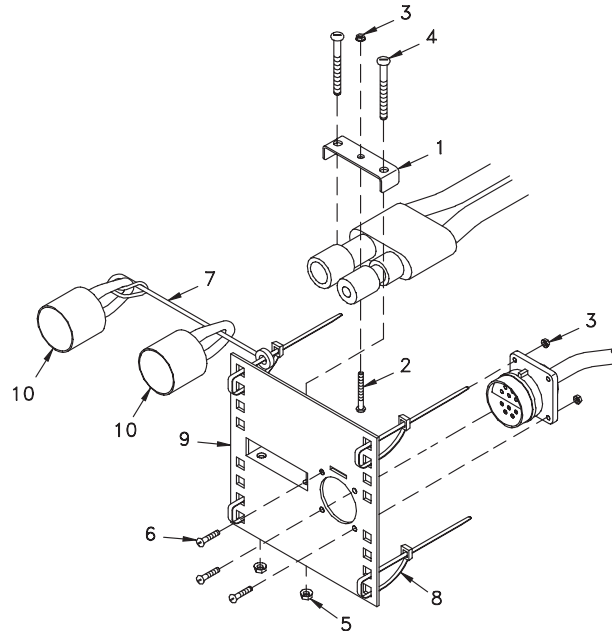
UNDERHOOD WIRING HARNESS



DWG. NO. 6560

REF. NO.	PART NUMBER	DESCRIPTION	QTY.	REF. NO.	PART NUMBER	DESCRIPTION	QTY.
1	38813034	Underhood Snowplow Cable Assembly (Includes Relays And Fuse)	1	7	39107001	Foam Grommet 4" Long	1
2	38350010	Headlight/Accessory Relay	3	8	38350015	Motor Solenoid, Sealed	1
3	031-30078	Self Tap Screw #8-18 x 1/2 Slotted Hex Head	3	9	38813012	Solenoid Cable, Red	1
4	39207031	10 Amp Fuse	1	10	950-005-004	Self Tap Screw 1/4-20 x 1/2 Hex Washer Head	2
5	38610104	Sealed Wire Tap Connector	3	11	38813074	10 Pin Grill, Pigtail Kit	A/R
6	38400012	Cover, Fuse Holder	1	12	38813084	Adapter GSC 99-02 Dodge & GMC	1
				13	38813078	Adapter Kit, Turn Signal	1

GRILL MOUNT PLATE



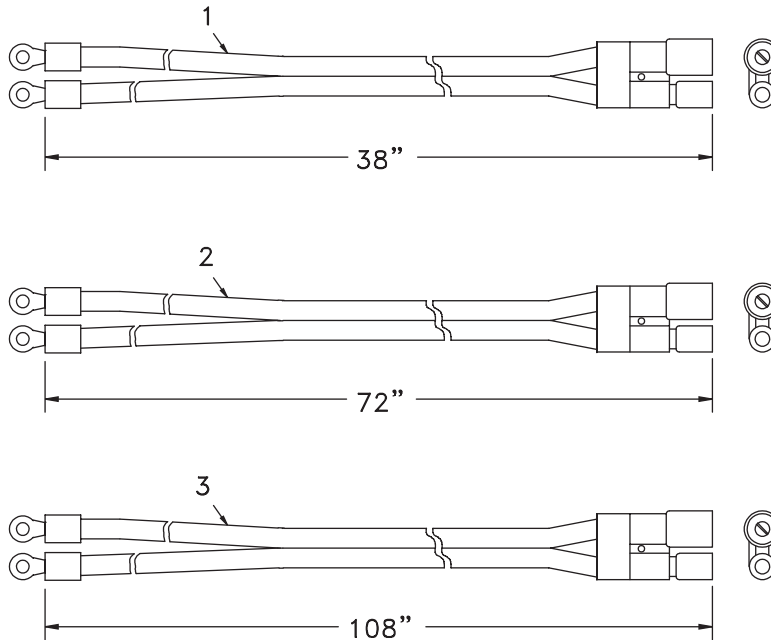
25010512 Mount Plate Kit

DWG. NO. 3900A

REF. NO.	PART NUMBER	DESCRIPTION	QTY.	REF. NO.	PART NUMBER	DESCRIPTION	QTY.
	25010512	Complete Mount Plate Kit (Items 1-10)		6	950-004-033	Machine Screw #6-32 x 1/2 Slotted Pan Head	4
1	25011037	Clamp	1	7	36716025	Nylon Lanyard 8"	1
2	700-10904	Machine Screw #6-32 x 1" Slotted Pan Head	1	8	367-001-011	Cable Tie 14"	4
3	951-003-014	Lock Nut #6-32 Nylon Insert	5	9	25010278	Plug Mount Plate	1
4	950-004-076	Machine Screw #10-24 x 1 1/2" Slotted Pan Head	2	10	36716002	Dust Cap	2
5	392-010-010	Lock Nut #10-24 Nylon Insert	2				

STEEL STRAIGHT PLOW 2752-2902

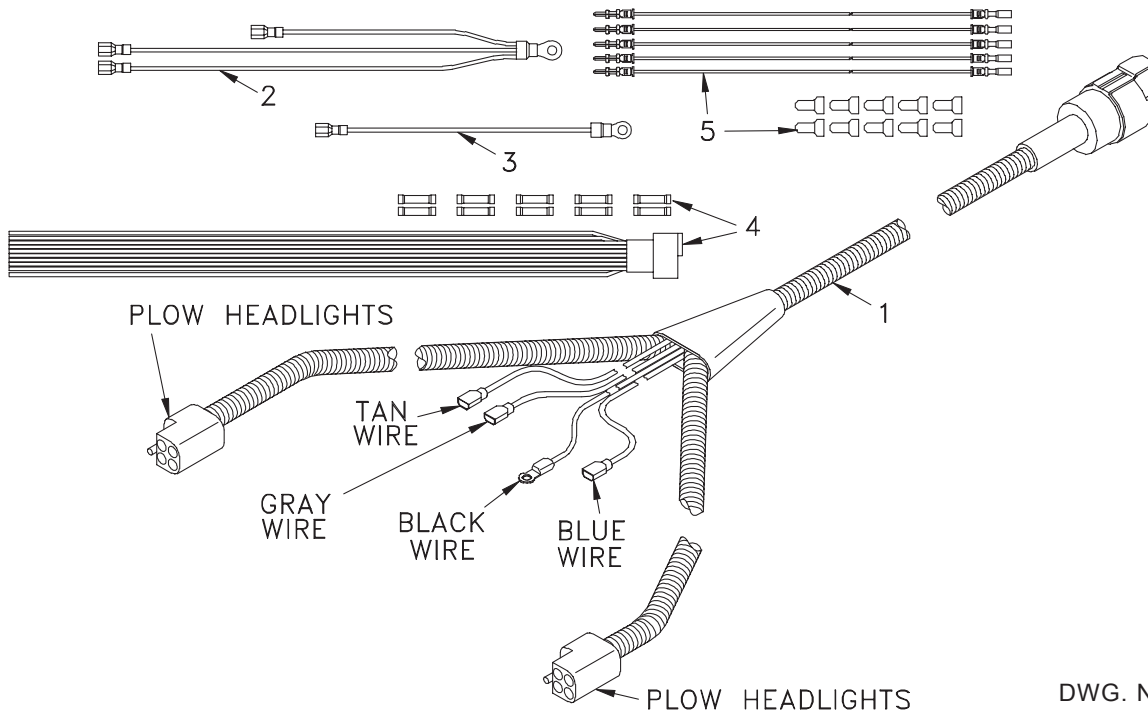
POWER CABLES



DWG. NO. 5342

REF. NO.	PART NUMBER	DESCRIPTION	QTY.	REF. NO.	PART NUMBER	DESCRIPTION	QTY.
1	38812008	Battery Power Cable - Snow Plow	1	3	38813066	Battery Power Cable - Truck 9 Ft.	1
2	38813007	Battery Power Cable - Truck 6 Ft.	1				

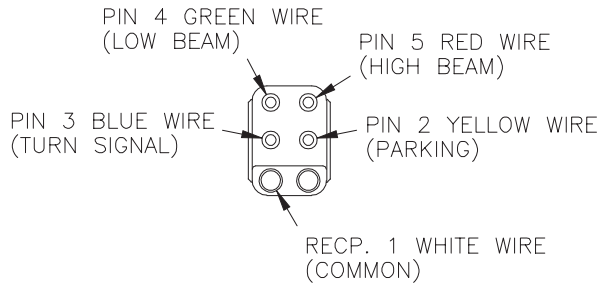
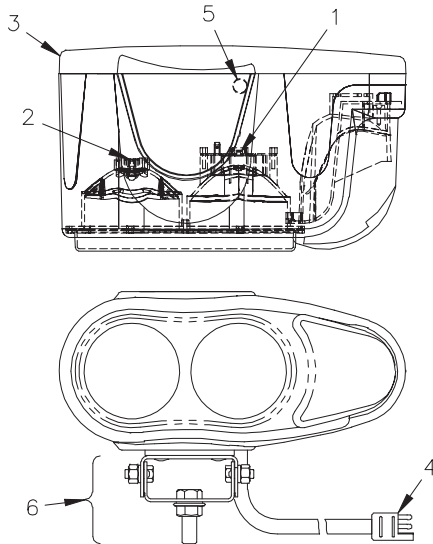
PLOW WIRING HARNESS



DWG. NO. 6558

REF. NO.	PART NUMBER	DESCRIPTION	QTY.	REF. NO.	PART NUMBER	DESCRIPTION	QTY.
1	38813036	External Cable Assembly - Snow Plow	1	4	38813075	10 Pin Plow Pigtail Kit	A/R
2	38813094	Ground Harness (Use On Power Unit DB-7929-1)	1	5	38813013	Repair Kit, 10 Term W/Wire	1
3	38813069	Ground Wire (Use On Power Unit DB-1164)	1				

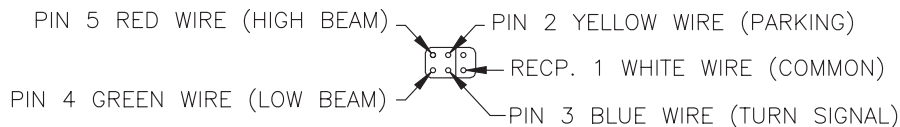
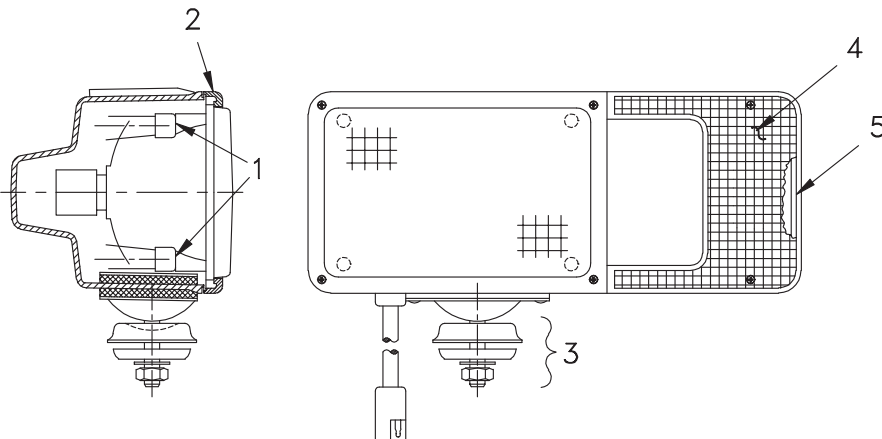
COMPOSITE HEADLAMPS



DWG. NO. 6628A

REF. NO.	PART NUMBER	DESCRIPTION	QTY.	REF. NO.	PART NUMBER	DESCRIPTION	QTY.
	25012793	LH Light Assembly	1	5	25012417	Conduit Clamp	1
	25012792	RH Light Assembly	1	6	25012850	Hardware Kit - Upper & Lower (For 2 Lights)	1
1	25012416	Spring Clip, High Beam	1	N/A		High Beam Headlight Bulb - One #H1 12V, 55W	1
2	25012415	Spring Clip, Low Beam	1	N/A		Low Beam Headlight Bulb - One #H7 12V, 55W	1
3	25012414	Back Panel, LH Light	1	N/A		Turn Signal/Parking Bulb - One #1157	1
	25012419	Back Panel, RH Light	1			Heavy Duty Double Contact 32/3 C.P.	
4	25012418	Wire Harness	1				

SEALED BEAM HEADLAMPS



DWG. NO. 3893

REF. NO.	PART NUMBER	DESCRIPTION	QTY.	REF. NO.	PART NUMBER	DESCRIPTION	QTY.
	25010918	LH Light Assy (5 Pin Connector)		5	25010731	Headlamps Lens Gasket	1
	25010919	RH Light Assy (5 Pin Connector)			N/A	Sealed Beam - HP6545 12VDC	1
1	25010727	Headlamp Bumper	4			4.00" x 6.50" (100 mm x 165 mm)	
2	25010728	Headlamp Rim	1			Rectangular Hi/Lo (65W/45W)	
3	25010729	Headlamp Swivel Kit	1	N/A		Turn Signal/Park Bulb One #1157 Heavy Duty	1
4	25010730	Headlamp Lens	1			Double Contact 32/3 C.P.	

