

# SECTION 4

# SCOOP PLOWS

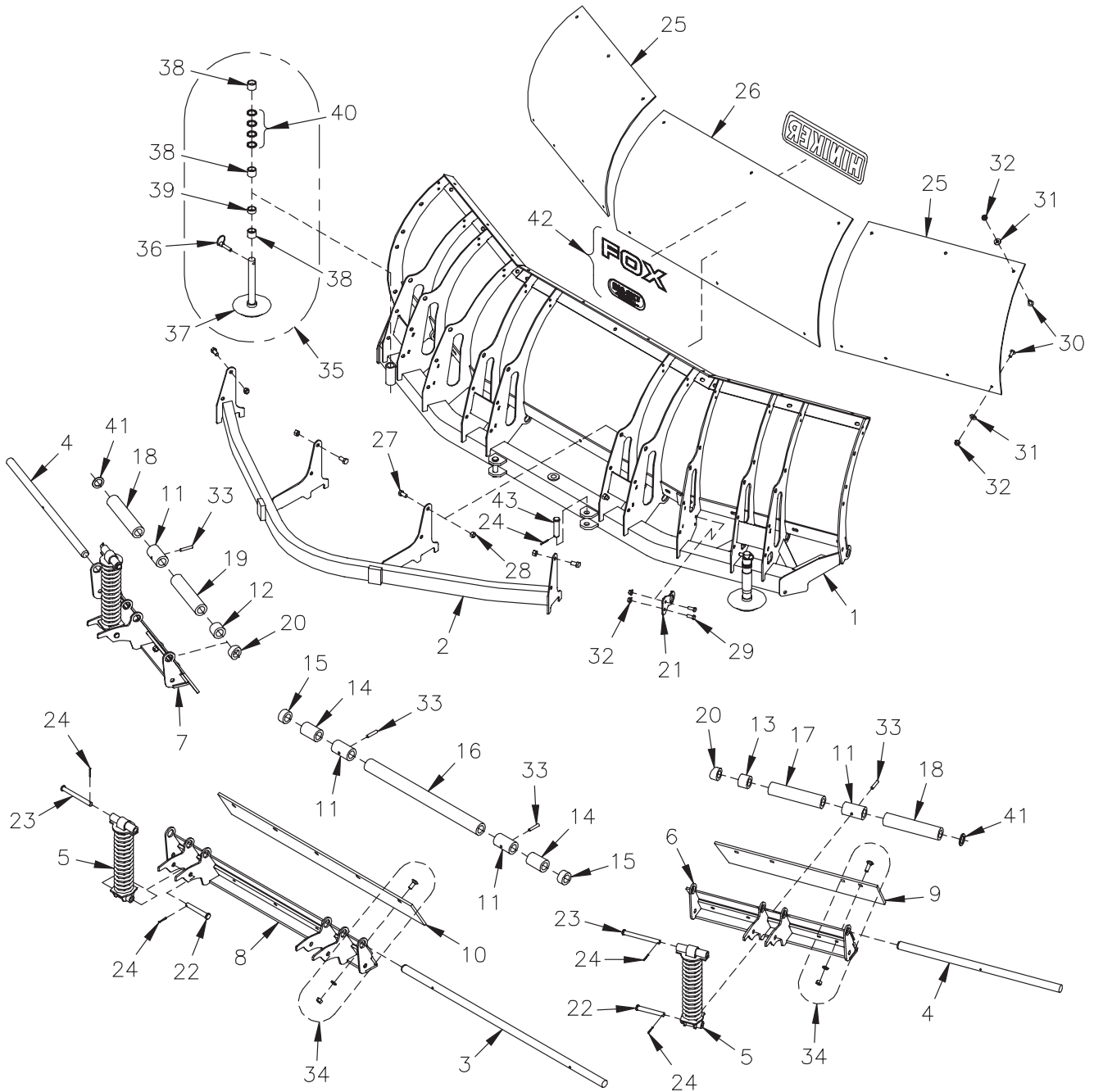
MODELS 680, 690, 2680, 2690

PAGE 2, 3	MOLDBOARD ASSEMBLIES
PAGE 4	FRAME ASSEMBLY
PAGE 5	1 1/2 X 10 HYDRAULIC CYLINDER POLY SNOW DEFLECTOR KITS
PAGE 6	RUBBER CUTTING EDGES 1/2" THICK CUTTING EDGES
PAGE 7	WEAR PLATE KIT CURB GUARD KITS
PAGE 8	CROSSOVER RELIEF VALVE KIT

# SKID STEER SCOOP SNOWPLOW

## MOLDBOARD ASSEMBLIES

SEC  
4



DWG. NO. 6121

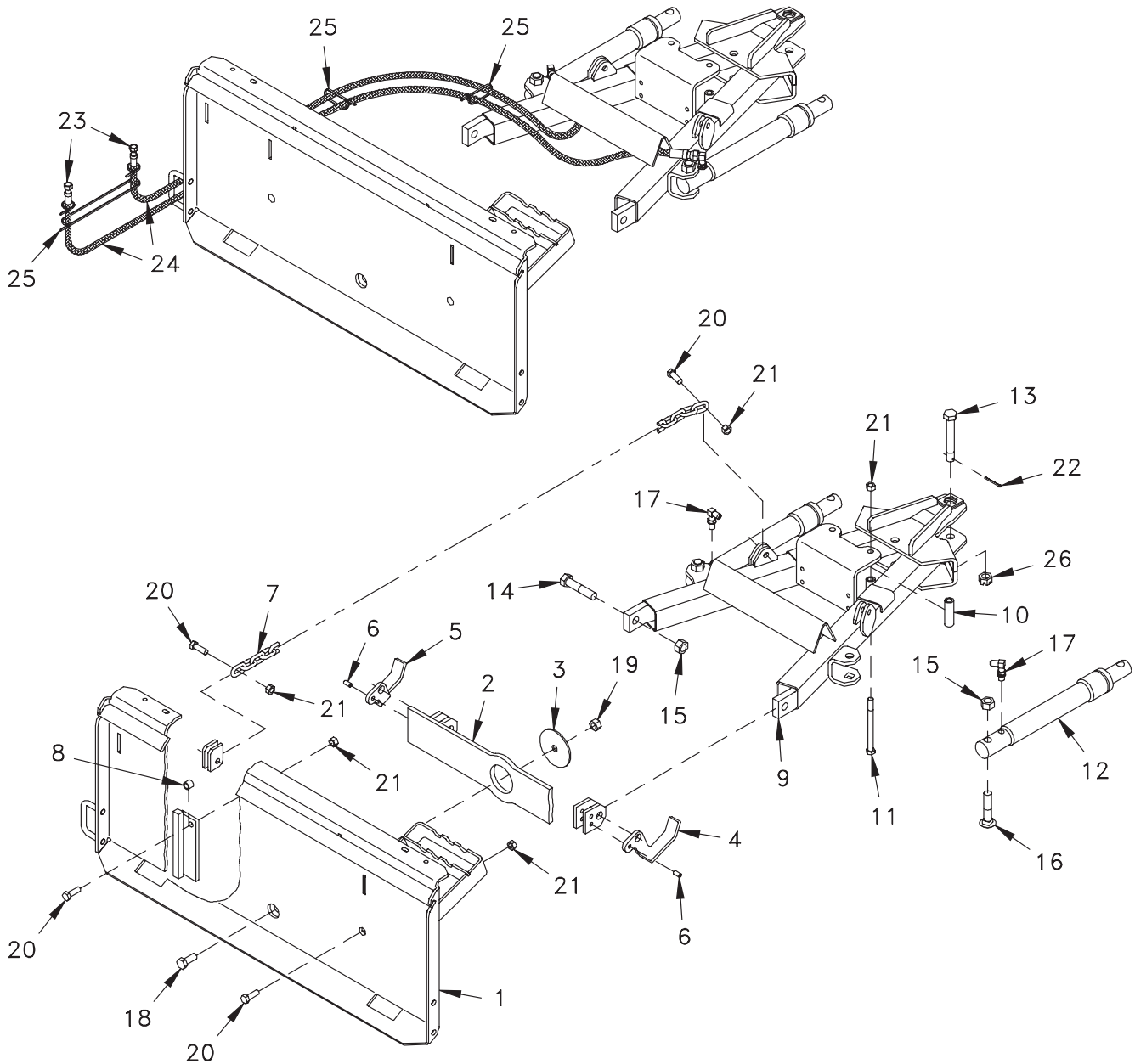
**SKID STEER SCOOP SNOWPLOW**

REF. NO.	PART NUMBER	DESCRIPTION	QTY.	REF. NO.	PART NUMBER	DESCRIPTION	QTY.
1	25011653	Scoop Frame Weldment-8' Plow (Shown)	1	23	953-002-045	Clevis Pin 5/8 x 6	4
	25012621	Scoop Frame Weldment-9' Plow	1	24	035-42033	Cotter Pin 5/32 x 1 1/4	10
2	25011656	Quadrant Weldment-8' Plow (Shown)	1	25	25011559	Poly Moldboard Blank-End	2
	25012624	Quadrant Weldment-9' Plow	1	26	25012191	Poly Moldboard Blank/Decal Assembly-8' Plow	1
3	25011632	Middle Shaft-8' Plow	1		25012192	Poly Moldboard Blank/Decal Assembly-9' Plow	1
	25011574	Middle Shaft-9' Plow	1	27	950-001-231	Hex Head Cap Screw 1/2-13 x 1 Gr. 5-8' Plow	8
4	25011573	End Shaft	2		950-001-231	Hex Head Cap Screw 1/2-13 x 1 Gr. 5-9' Plow	12
5	25011373	Spring Assembly	4	28	10304	Lock Nut 1/2-13 2-Way-8' Plow	8
6	25011542	RH Trip Edge Weldment	1		10304	Lock Nut 1/2-13 2-Way-9' Plow	12
7	25011541	LH Trip Edge Weldment	1	29	950-001-324	Hex Head Cap Screw 3/8-16 x 3/4 Gr. 5	2
8	25011655	Middle Trip Edge Weldment-8' Plow	1	30	700-11704	Machine Screw 3/8-16 x 1 Slotted Truss Head-8' Plow	20
	25011531	Middle Trip Edge Weldment-9' Plow	1		700-11704	Machine Screw 3/8-16 x 1 Slotted Truss Head-9' Plow	22
9	25011572	End Cutting Edge	2	31	952-002-013	Flat Washer 3/8 Inch, Stainless Steel-8' Plow	20
10	25011631	Middle Cutting Edge-8' Plow	1		952-002-013	Flat Washer 3/8 Inch, Stainless Steel-9' Plow	22
	25011571	Middle Cutting Edge-9' Plow	1	32	951-005-003	Lock Nut 3/8-16 Mac Lock-8' Plow	22
11	25011341	Bushing, 3 3/8" Long Steel	4		951-005-003	Lock Nut 3/8-16 Mac Lock-9' Plow	24
12	25011719	Bushing, 1 1/2" Long Poly	1	33	30009024	Slotted Spring Pin 3/8 x 2	4
13	25011570	Bushing, 1 11/16" Long Poly	1	34	25011578	Cutting Edge Bolt Kit	1
14	25011634	Bushing, 3" Long Poly-8' Plow	2	35	25011487	Cast Iron Skid Assembly	2
	25011566	Bushing, 8 11/16" Long Poly-9' Plow	2	36	25010319	Klik Pin	2
15	25011568	Bushing, 1" Long Poly	2	37	25011478	Cast Iron Skid Shoe	2
16	25011567	Bushing, 24 5/16" Long Poly	1	38	25010049	1" Skid Spacer	6
17	25011566	Bushing, 8 11/16" Long Poly	1	39	25010048	1/2" Skid Spacer	2
18	25011565	Bushing, 9 5/16" Long Poly	2	40	952-004-071	Machinery Bushing 1 5/32 x 1 1/2 x 10 Ga.	8
19	25011564	Bushing, 8 7/8" Long Poly	1	41	952-004-076	Machinery Bushing 1 1/4 x 1 7/8 x 10 Ga.	2
20	25011563	Angled Bushing, 1 1/8" Long Poly	2	42	715-05008	Fox Decal	1
21	25011562	Middle Shaft Support	1		36360403	Big Ox Decal	1
22	953-002-044	Clevis Pin 5/8 x 4 3/8	4	43	953-002-032	Clevis Pin 3/4 x 3	2

**SEC  
4**

# SKID STEER SCOOP SNOWPLOW

## FRAME ASSEMBLY



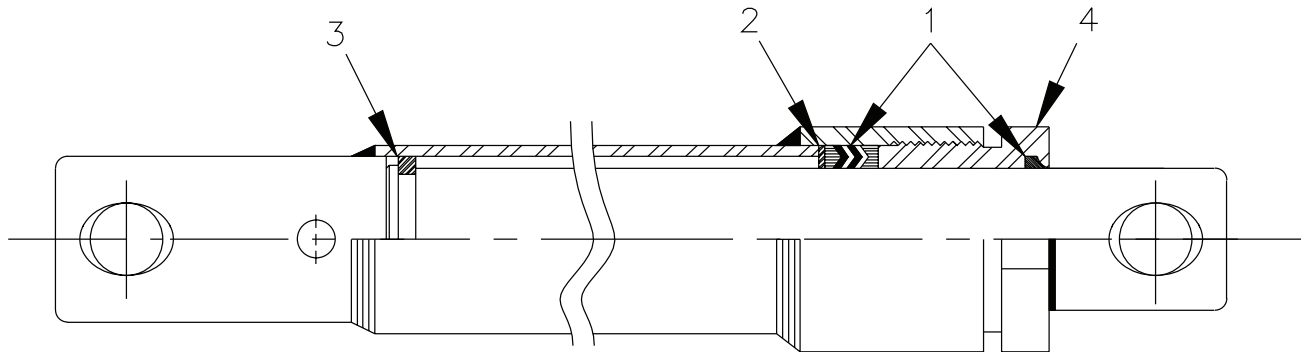
DWG. NO. 5772A

REF. NO.	PART NUMBER	DESCRIPTION	QTY.	REF. NO.	PART NUMBER	DESCRIPTION	QTY.
1	25012719	Mount Plate Weldment	1	14	950-001-031	Hex Head Cap Screw 3/4-10 x 3 Gr. 5	2
2	25011255	Bar Weldment	1	15	951-005-037	Lock Nut 3/4-10, 2-Way	4
3	25011254	Washer	1	16	030-16198	Carriage Bolt 3/4-10 x 3 1/2 Gr. 5	2
4	25011253	Right Foot	1	17	956-005-032	90° Restricted Adapter Fitting 9/16 ORB x 9/16 JIC	2
5	25011252	Left Foot	1	18	950-001-087	Hex Head Cap Screw 5/8-11 x 1 1/2 Gr. 5	1
6	953-003-035	Slotted Spring Pin 3/8 x 3/4	2	19	951-005-044	Lock Nut 5/8-11, 2-Way	1
7	25011251	Chain	2	20	950-001-125	Hex Head Cap Screw 1/2-13 x 1 1/2 Gr. 5	6
8	25011250	Spacer	2	21	10304	Lock Nut 1/2-13, 2-Way	8
9	25011723	Push Frame Weldment	1	22	953-001-008	Cotter Pin 3/16 x 1 3/4	1
10	25011477	Bushing	2	23	957-001-020	Hose Assembly 3/8 x 96"	2
11	031-06219	Hex Head Cap Screw 1/2-13 x 6 Gr. 5	2	24	25011468	Nylon Sleeve 96" Nylon	2
12	25010523	1 1/2" x 10" Cylinder (See Sec. 4, Page 5)	2	25	367-001-014	Cable Tie, Black 8 Inch	6
13	25012614	Drilled Bolt 3/4-10 x 5 Gr. 5	1	26	034-00136	Slotted Hex Nut 3/4-10	1

SEC 4

# SKID STEER SCOOP SNOWPLOW

## 1 1/2 X 10 HYDRAULIC CYLINDER



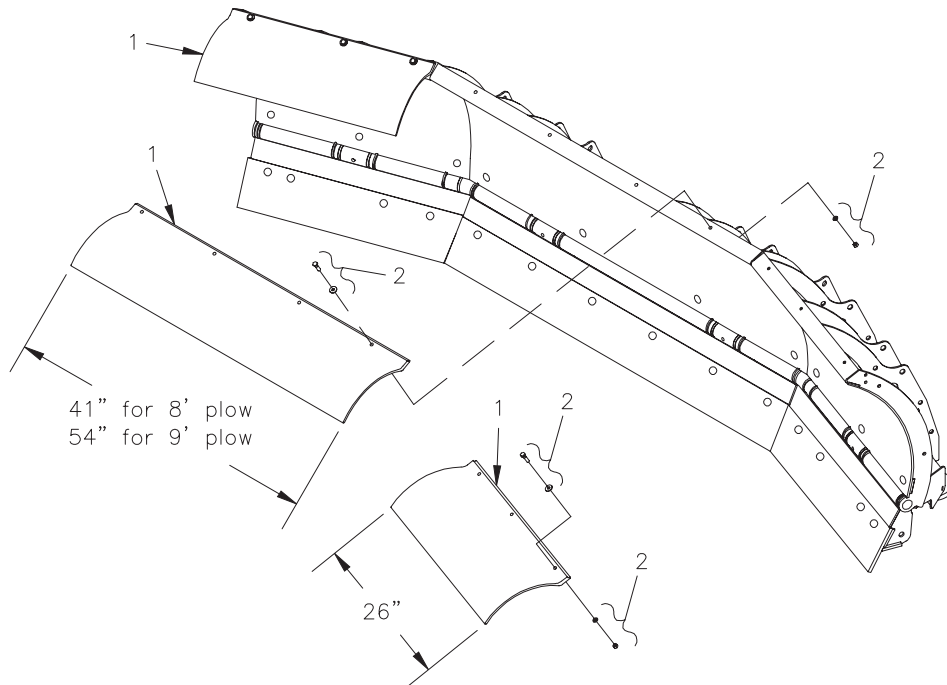
25010523 1 1/2 x 10 Hydraulic Cylinder

DWG. NO. 5185

REF. NO.	PART NUMBER	DESCRIPTION	QTY.	REF. NO.	PART NUMBER	DESCRIPTION	QTY.
1	25010464	Seal Kit	1	3	25010017	Guide Ring	1
2	25010016	Seat Ring	1	4	25010018	Packing Ring	1

SEC 4

## POLY SNOW DEFLECTOR KITS



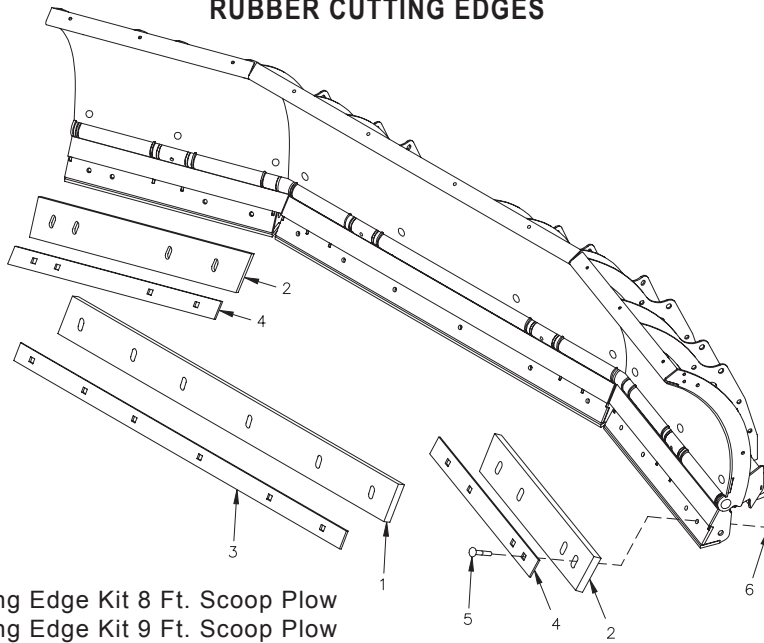
25011789 Poly Snow Deflector Kit For 8 Ft. Plows  
25011983 Poly Snow Deflector Kit For 9 Ft. Plows

DWG. NO. 5681

REF. NO.	PART NUMBER	DESCRIPTION	QTY.	REF. NO.	PART NUMBER	DESCRIPTION	QTY.
1	25011794	8 Ft. Snow Deflector Extrusion	1	2	25011793	Bolt Box Snow Deflector	1
	25011982	4 1/2 Ft. Snow Deflector Extrusion	2				

# SKID STEER SCOOP SNOWPLOW

## RUBBER CUTTING EDGES



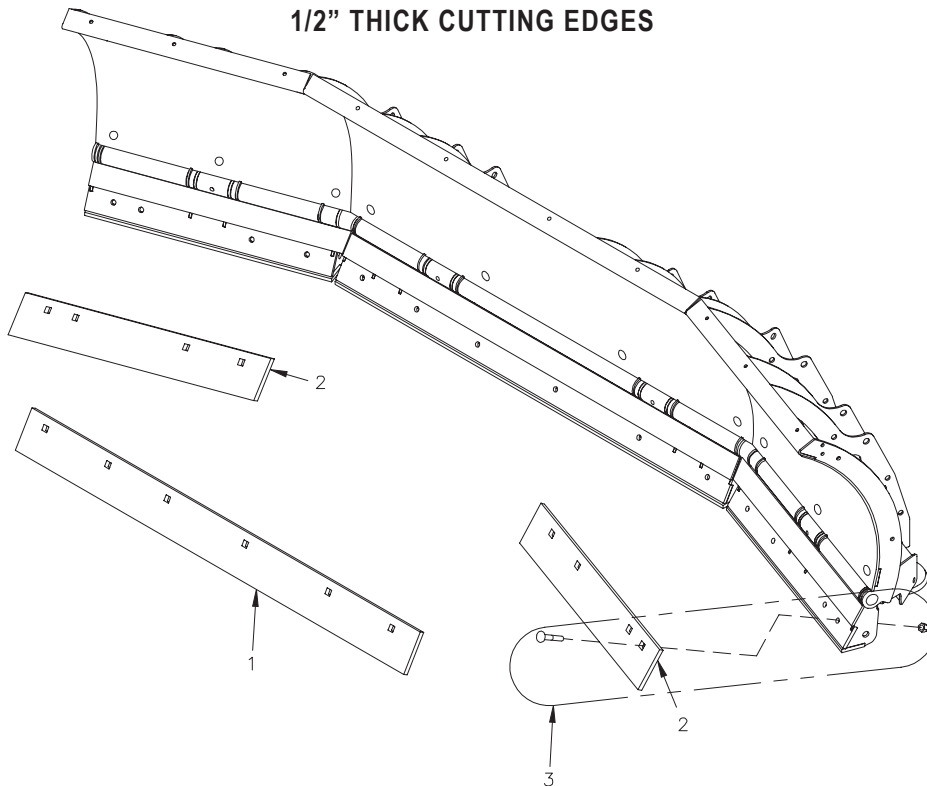
25011776 Rubber Cutting Edge Kit 8 Ft. Scoop Plow  
 25011782 Rubber Cutting Edge Kit 9 Ft. Scoop Plow

DWG. NO. 5736

SEC 4

REF. NO.	PART NUMBER	DESCRIPTION	QTY.	REF. NO.	PART NUMBER	DESCRIPTION	QTY.
1	25011783	Rubber Cutting Edge 9 Ft. Middle	1	4	25011781	Strap Scoop End	2
	25011777	Rubber Cutting Edge 8 Ft. Middle	1	5	030-16136	Carriage Bolt 1/2-13 x 2 1/2 Gr. 5	A/R
2	25011778	Rubber Cutting Edge Scoop End	2	6	951-003-009	Hex Nut 1/2-13 Nylon Insert	A/R
3	25011785	Strap 9 Ft. Scoop Middle	1				
	25011780	Strap 8 Ft. Scoop Middle	1				

## 1/2" THICK CUTTING EDGES

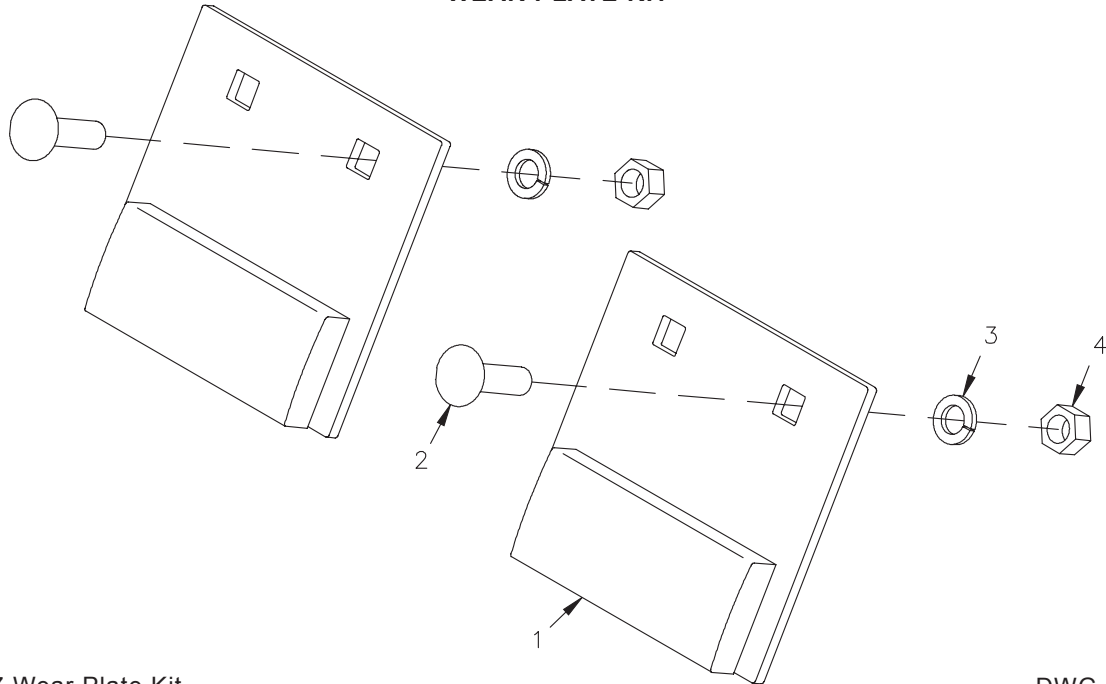


DWG. NO. 5882

REF. NO.	PART NUMBER	DESCRIPTION	QTY.	REF. NO.	PART NUMBER	DESCRIPTION	QTY.
1	25012032	Middle Cutting Edge 9' Plow	1	2	25012030	Scoop End Cutting Edge	2
	25012028	Middle Cutting Edge 8' Plow	1	3	25011578	Cutting Edge Bolt Kit	1

# SKID STEER SCOOP SNOWPLOW

## WEAR PLATE KIT



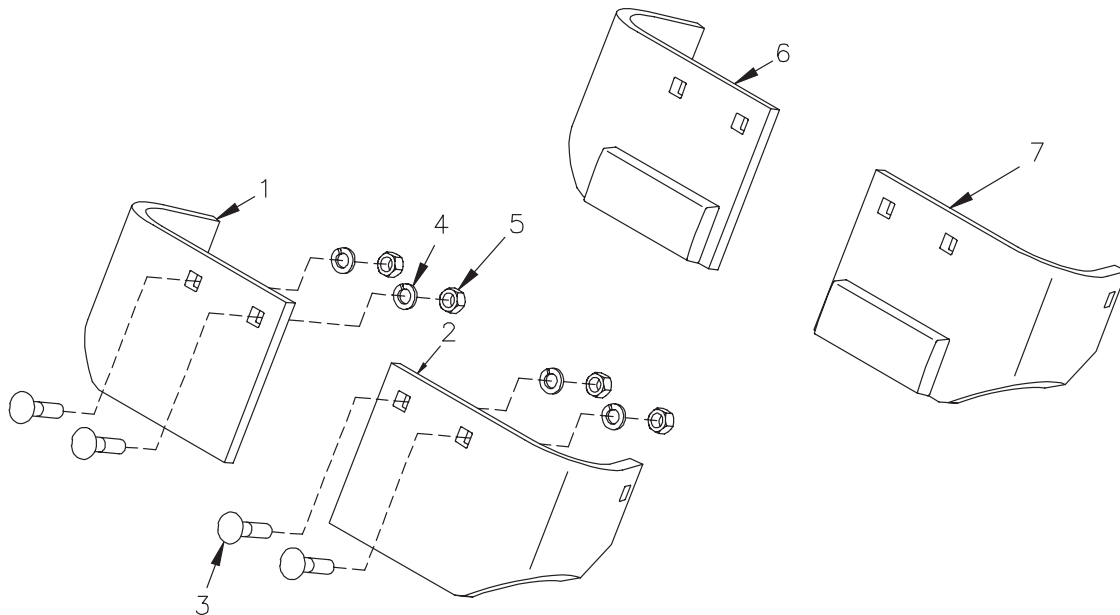
25012587 Wear Plate Kit

DWG. NO. 6331

REF. NO.	PART NUMBER	DESCRIPTION	QTY.	REF. NO.	PART NUMBER	DESCRIPTION	QTY.
1	25012588	Wear Plate Weldment	2	3	952-001-004	Lock Washer 1/2 Inch	4
2	950-003-058	Carriage Bolt 1/2-13 x 1 3/4 Gr. 5	4	4	951-001-007	Hex Nut 1/2-13	4

SEC 4

## CURB GUARD KITS



25011695 Curb Guard Kit - Standard

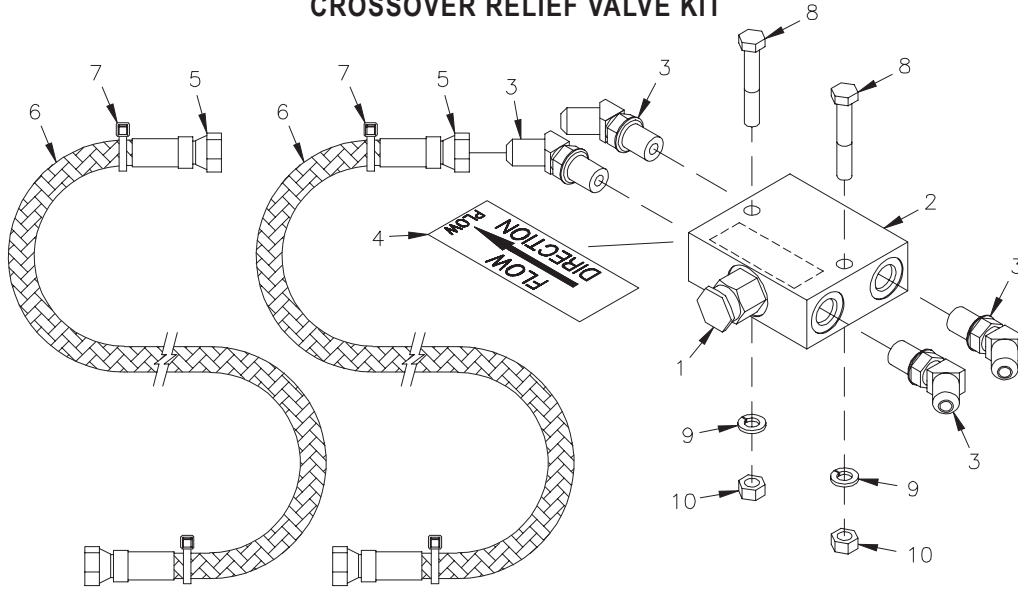
25012726 Curb Guard Kit With Wear Bars

DWG. NO. 5486

REF. NO.	PART NUMBER	DESCRIPTION	QTY.	REF. NO.	PART NUMBER	DESCRIPTION	QTY.
1	25011712	RH Curb Guard - Standard	1	5	951-001-007	Hex Nut 1/2-13	4
2	25011713	LH Curb Guard - Standard	1	6	25012722	RH Curb Guard With Wear Bar	1
3	950-003-025	Carriage Bolt 1/2-13 x 2 Gr. 5	4	7	25012723	LH Curb Guard With Wear Bar	1
4	952-001-004	Lock Washer 1/2 Inch	4				

# SKID STEER SCOOP SNOWPLOW

## CROSSOVER RELIEF VALVE KIT



25012831 Crossover Relief Valve Kit

DWG. NO. 6634

SEC  
4

REF. NO.	PART NUMBER	DESCRIPTION	QTY.	REF. NO.	PART NUMBER	DESCRIPTION	QTY.
1	25010985	Crossover Relief Valve Cartridge	1	6	25011130	Nylon Sleeve 40" Long	2
2	25012834	Crossover Relief Valve Assembly (Includes Item #1)	1	7	367-001-014	Cable Tie, 8 Inch	4
3	956-005-023	45° Adapter 9/16 ORB x 9/16 JIC	4	8	031-06059	Hex Head Cap Screw 5/16-18 x 2 Gr. 5	2
4	25012535	Label-Flow Direction	1	9	952-001-002	Lock Washer, 5/16 Inch	2
5	957-010-007	Hose Assembly 1/4" x 40"	2	10	951-001-004	Hex Nut 5/16-18	2