

HINIKER SPREADER PARTS BOOK

FOR MODEL NUMBERS 835, 825, 815, 635, 625, 615
MODEL YEAR 2007-

- SECTION 1 GASOLINE ENGINE SPREADER COMPONENTS
- SECTION 2 ELECTRIC DRIVEN SPREADER COMPONENTS
- SECTION 3 OPTIONAL EQUIPMENT

PARTS

It is the policy of Hiniker Company to constantly improve its products whenever it is practical to do so.

Hiniker Company must therefore reserve the right to redesign or change its equipment or component parts thereof without incurring the obligation to install or furnish such changes on the equipment previously delivered.

HINIKER COMPANY
58766 240th St.
P.O. BOX 3407
MANKATO, MN 56002-3407 USA
Phone: (800) 433-5620
Fax: (800) 637-3991
E-Mail: hiniker@hiniker.com

INSTRUCTIONS FOR ORDERING PARTS

1. The reference numbers (Ref. No.) in the illustrations correspond to the same reference numbers (Ref. No.) in the description list. An assembly having a part number can be ordered. All other parts must be ordered individually. The quantity in the "Qty." column is the number of parts used in this area of the machine. The term "A/R" for number required indicates "as required" where the quantity may vary. Order all parts by their part number and description. Do not use the reference number (Ref. No.).
2. All references to left and right, front and rear apply to the machine as viewed from the rear of the machine, facing forward in the direction of travel.
3. Always mention the identification number of the model and serial numbers found on the name plate of the unit on which the part is to be used. Much delay and confusion can be avoided when correct numbers are specified on parts order and correspondence.

SECTION 1

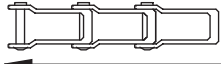
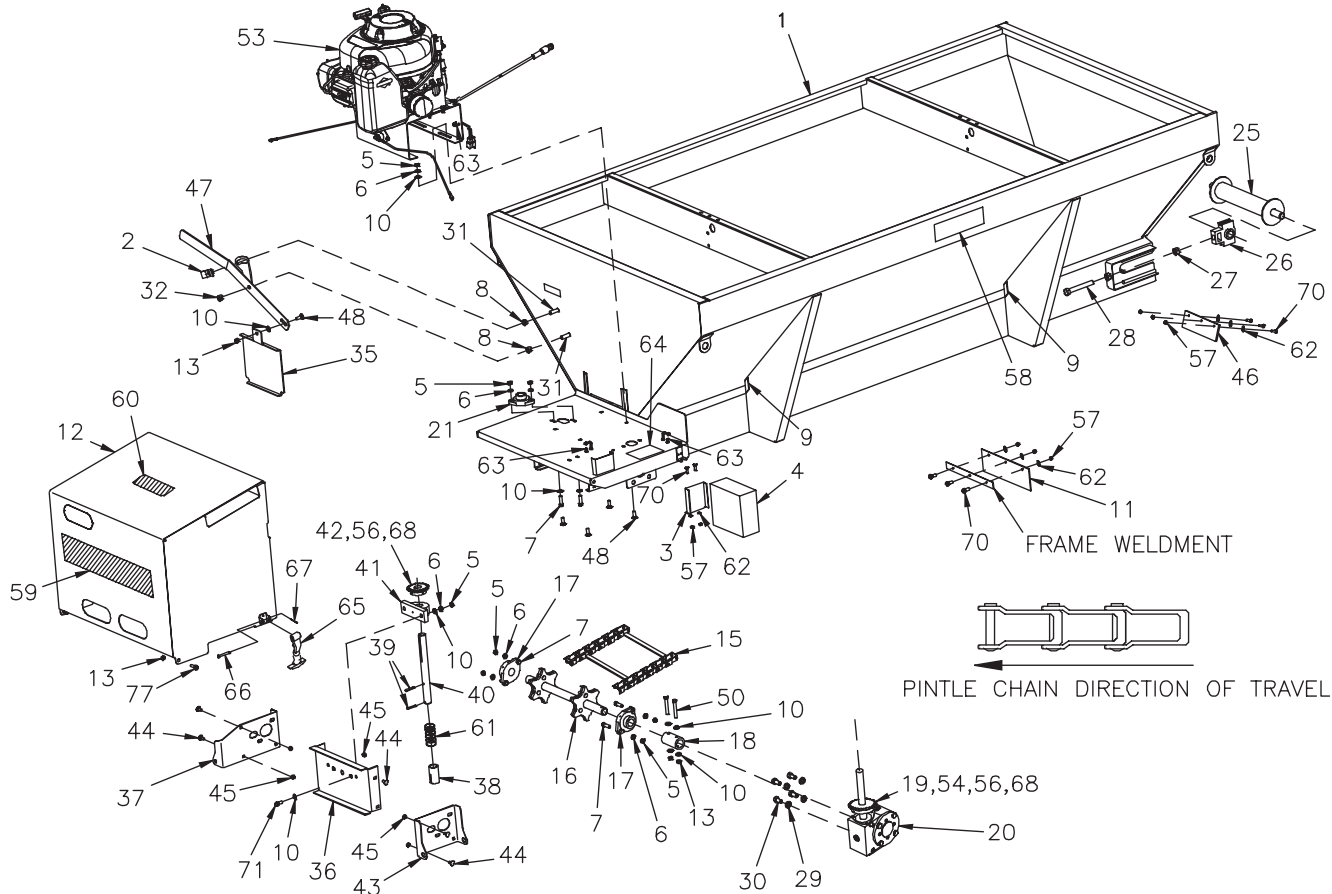
GASOLINE DRIVEN

SPREADER COMPONENTS

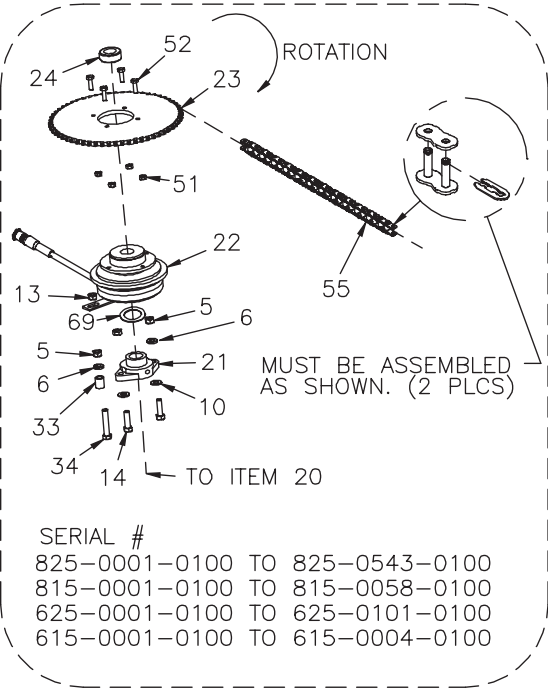
PAGE 2	HOPPER ASSEMBLY
PAGE 4	DISCHARGE CHUTE ASSEMBLY
PAGE 5	ELECTRICAL ASSEMBLY
PAGE 6	ENGINE ASSEMBLY
PAGE 7	GEARBOX ASSEMBLY
PAGE 8	FRONT SHAFT AND APRON CHAIN ASSEMBLY

HINIKER GASOLINE ENGINE SPREADER

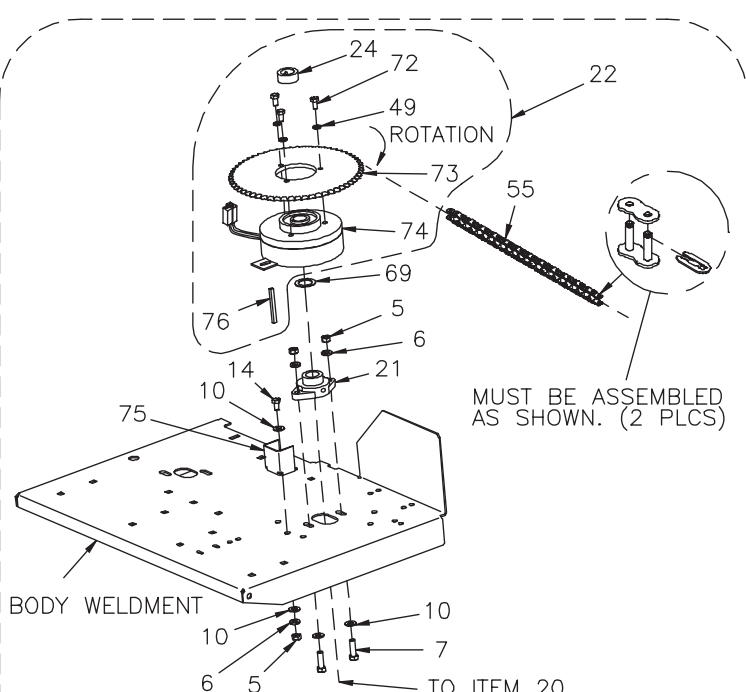
HOPPER ASSEMBLY



PINTLE CHAIN DIRECTION OF TRAVEL



SERIAL #
 825-0001-0100 TO 825-0543-0100
 815-0001-0100 TO 815-0058-0100
 625-0001-0100 TO 625-0101-0100
 615-0001-0100 TO 615-0004-0100



SERIAL #
 825-0544-0101 AND LATER
 815-0059-0101 AND LATER
 625-0102-0101 AND LATER
 615-0005-0101 AND LATER

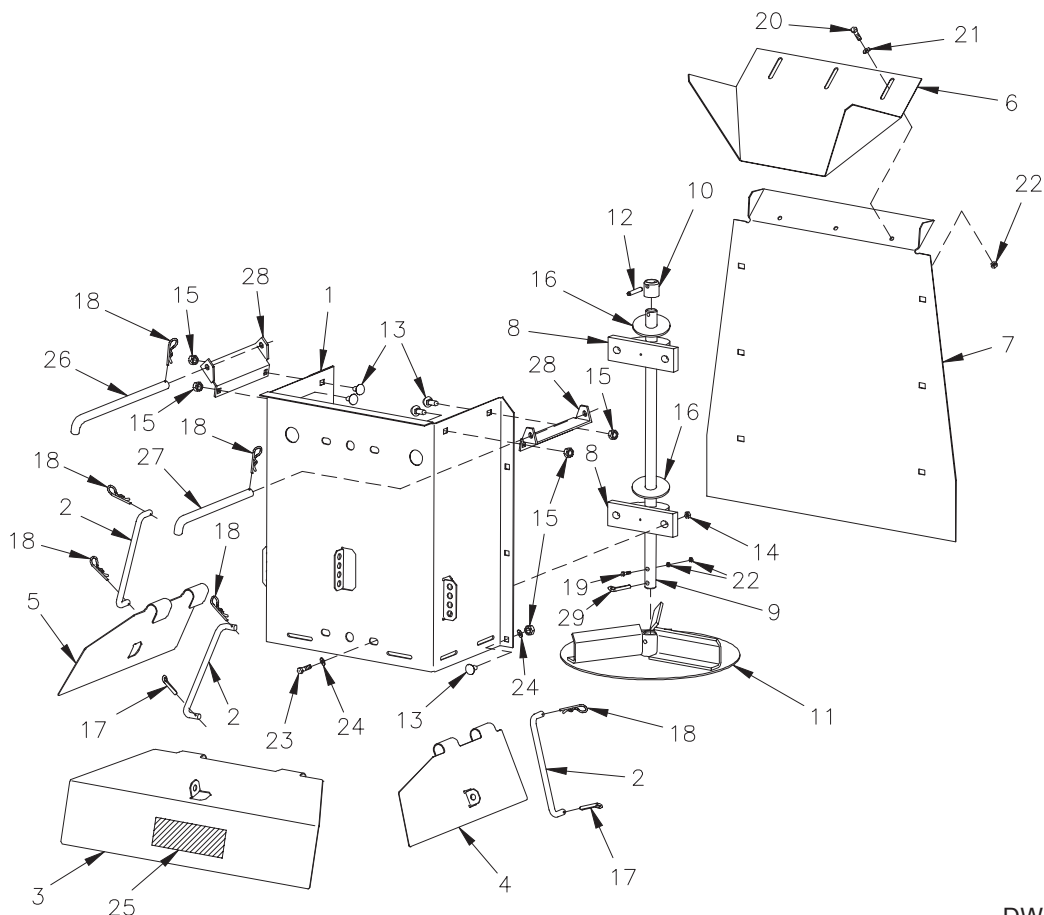
HINIKER GASOLINE ENGINE SPREADER

SECTION
1

REF. NO.	PART NUMBER	DESCRIPTION	QTY.	REF. NO.	PART NUMBER	DESCRIPTION	QTY.
1	79202532	6 1/2 Ft SS Hopper Weldment	1	37	79202523	Chute Pivot SS	1
	79202439	6 1/2 Ft Steel Hopper Weldment	1		79202455	Chute Pivot	1
	79202416	8 Ft SS Hopper Weldment	1	38	79202456	Shaft Coupler	1
	79202415	8 Ft Steel Hopper Weldment	1	39	953-003-003	Slotted Spring pin 1/4 x 1 3/4	2
2	79202554	Lever Nut SS	1	40	79202464	Top Spinner Shaft	1
	79202451	Lever Nut	1	41	79202741	Pillow Block Bearing (Exposed Grease Zerk)	1
3	79202521	Battery Bracket SS	1	42	79202474	Sprocket 40B18	1
	79202452	Battery Bracket	1	43	79202519	Clevis SS	1
4	79202401	Battery	1		79202454	Clevis	1
5	951-001-005	Hex Nut 3/8-16	A/R	44	030-16041	Carriage Bolt 5/16-18 x 3/4 Gr. 5	6
	061910	Hex Nut 3/8-16 SS	A/R		950-003-080	Carriage Bolt 5/16-18 x 3/4 SS	6
6	952-001-007	Lock Washer 3/8 Med Split SAE	A/R	45	951-005-036	Mac Lock Nut 5/16-18	6
	033-29011	Lock Washer 3/8 Med Split SS	A/R		951-002-011	Whiz Lock Nut 5/16-18 SS	6
7	950-001-106	Hex Head Cap Screw 3/8-16 x 1 1/4 Gr 5	A/R	46	79202458	Front Wiper	1
	950-001-344	Hex Head Cap Screw 3/8-16 x 1 1/4 SS	A/R	47	79202524	Lever Weldment SS	1
8	951-001-007	Hex Nut 1/2-13	2		79202466	Lever Weldment	1
	061923	Hex Nut 1/2-13 SS	2	48	950-003-029	Carriage Bolt 3/8-16 x 1 Gr. 5	5
9	79202477	Trim 1 1/2 Inch	2		950-003-067	Carriage Bolt 3/8-16 x 1 SS	5
10	952-003-006	Flat Washer 3/8 SAE	A/R	49	952-001-002	Lock Washer 5/16 Med Split SAE	A/R
	061916	Flat Washer 3/8 SAE SS	A/R		061917	Lock Washer 5/16 SS	A/R
11	79201694	Chain Wiper	1	50	031-06113	Hex Head Cap Screw 3/8-16 x 3 Gr. 5	2
12	79202527	Cover Weldment SS	1	51	951-005-089	2-Way Hex Nut 1/4-20 Gr. A	4
	79202440	Cover Weldment	1	52	031-06005	Hex Head Cap Screw 1/4-20 x 7/8 Gr. 5	4
13	951-005-051	Lock Nut 3/8-16	A/R	53	79202446	Engine Assembly SS (See Sec. 1 P. 6)	1
	951-003-013	Lock Nut 3/8-16 Nylon Insert SS	A/R		79202449	Engine Assembly (See Sec. 1 P. 6)	1
14	950-001-105	Hex Head Cap Screw 3/8-16 x 1 Gr. 5	A/R	54	79202475	Roller Chain #40 77 Links	1
	950-001-286	Hex Head Cap Screw 3/8-16 x 1 SS	A/R	55	79202476	Roller Chain #40 81 Links	1
15	79202399	Apron Chain Assembly 6 1/2' (See Sec. 1 P. 8)	1	56	031-23016	Hex Socket Set Screw 1/4-20 x 3/8 Cup	4
	79202398	Apron Chain Assembly 8' (See Sec. 1 P. 8)	1	57	951 -005-089	2-Way Nut 1/4-20 Gr. A	8
16	79202469	Drive Shaft Weldment	1		061605	Lock Nut 1/4-20 Nylon Insert SS	8
17	79202405	2-Bolt Flange 206-18	2	58	85501786	Hiniker Decal	2
18	79202453	Coupler	1		81004136	Hiniker Decal (SS Model)	1
19	79202472	Sprocket 40B24	1	59	79202024	Hiniker Decal	1
20	79202396	Gearbox (See Sec. 1 P. 7)	1		71505163	Hiniker Decal (SS Model)	1
21	79202404	2-Bolt Flange 205-16	2	60	715-04016	No Step Decal	1
22	79203165	Replacement Clutch Kit Includes Items (24, 49, 72-76)	1	61	79203337	Compression Spring	1
23	50205016	Sprocket #40 60T	1	62	952-002-011	Flat Washer 1/4 Wrt	8
24	79203147	Shaft Locking Collar 1" Bore	1		952-004-062	Flat Washer 1/4 SS	8
25	79202459	Idler Weldment	1	63	367-001-014	Cable Tie, Black 8 Inch	3
26	79202406	Take Up Bearing 205-16	2	64	71504138	Decal Warning, Rotating Parts	1
27	951-001-008	Nut-Hex 5/8-11	2	65	720-02126	Latch, Rubber	2
	061937	Nut-Hex 5/8-11 SS	2	66	720-02127	Pin Hood Latch	2
28	950-001-199	Hex Head Cap Screw 5/8-11 x 6 Full Thread	2	67	720-02128	Cotter Pin 1/16 x 1/2	2
	950-001-346	Hex Head Cap Screw 5/8-11 x 6 Full Thread SS	2	68	702-53004	Key 1/4 x 1/4 x 1	2
29	952-001-004	Lock Washer 1/2 Med Split SAE	4	69	952-004-052	Machine Bushing 1 1/32 x 1 1/2 x .048	1
	061925	Lock Washer 1/2 SS	4	70	950-001-117	Hex Head Cap Screw 1/4-20 x 3/4 Gr. 5	8
30	950-001-231	Hex Head Cap Screw 1/2-13 x 1 Gr. 5	4		950-001-345	Hex Head Cap Screw 1/4-20 x 3/4 SS	8
	950-001-288	Hex Head Cap Screw 1/2-13 x 1 SS	4	71	950-001-108	Hex Head Cap Screw 3/8-16 x 1 1/2 Gr. 5	2
31	950-001-125	Hex Head Cap Screw 1/2-13 x 1 1/2 Gr. 5	2		950-001-314	Hex Head Cap Screw 3/8-16 x 1 1/2 SS	2
	950-001-347	Hex Head Cap Screw 1/2-13 x 1 1/2 SS	2	72	950-001-232	Hex Head Cap Screw 5/16-18 x 5/8 Gr. 5	3
32	10304	Lock Nut 1/2-13	1		950-001-350	Hex Head Cap Screw 5/16-18 x 5/8 SS	3
	951-003-012	Lock Nut 1/2-13 Nylon Insert SS	1	73	79203162	Sprocket 60T #40 Clutch	1
33	79202457	Spacer	1	74	79203161	Electric Clutch	1
34	950-001-242	Hex Head Cap Screw 3/8-16 x 2 Gr. 5 Full Thread	1	75	79203159	Clutch Stop	1
35	79202520	Feed Gate SS	1		79203163	Clutch Stop SS	1
	79202463	Feed Gate	1	76	79203160	Key 1/4 x 1/4 x 2 9/16 Long	1
36	79202522	Top Chute Mount SS	1	77	950-001-089	Hex Head Cap Screw 3/8 x 3/4 Gr. 5	A/R
	79202465	Top Chute Mount	1		031-09103	Hex Head Cap Screw 3/8 x 3/4 SS	A/R

HINIKER GASOLINE ENGINE SPREADER

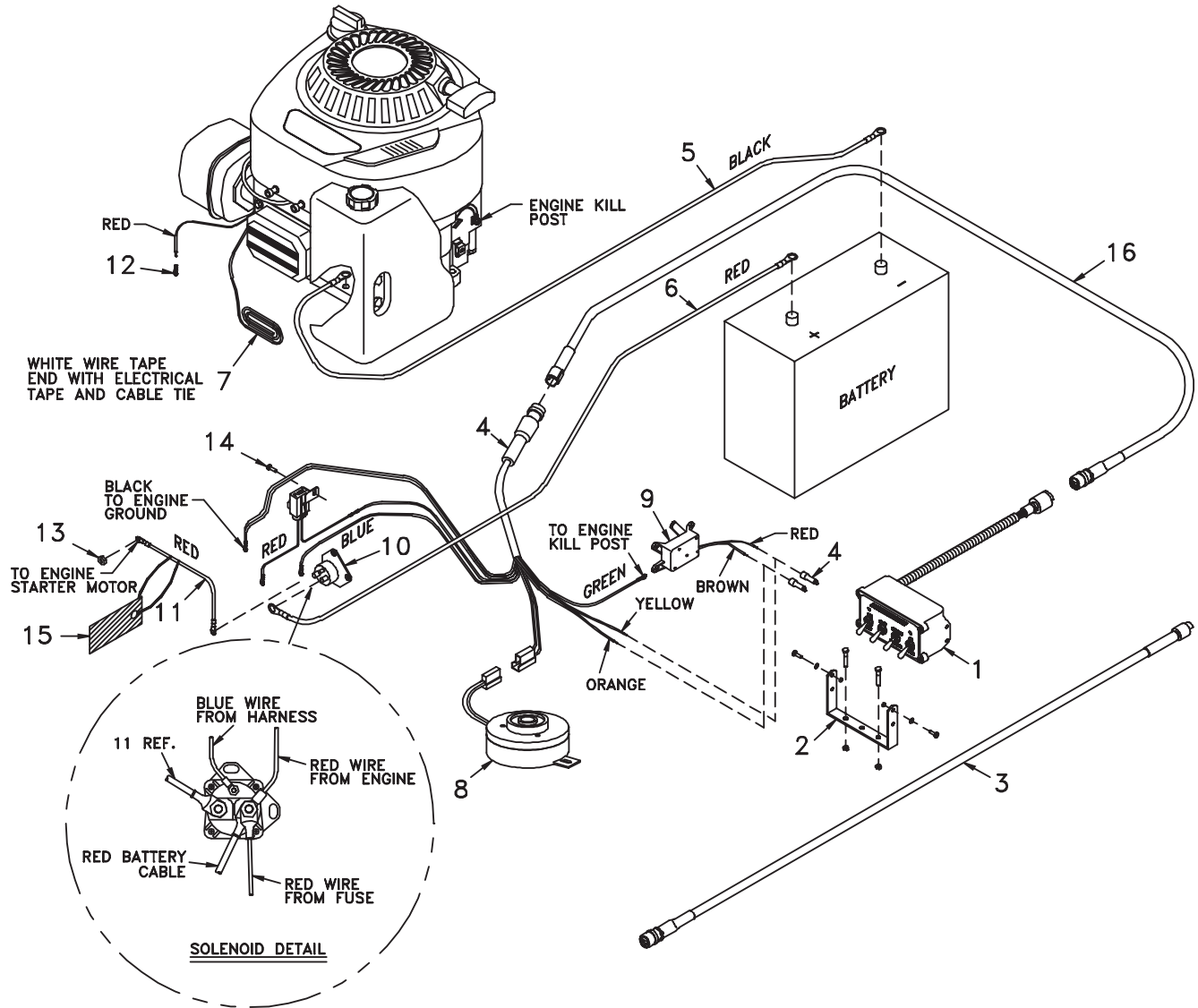
DISCHARGE CHUTE ASSEMBLY



DWG. NO. 6036

REF. NO.	PART NUMBER	DESCRIPTION	QTY.	REF. NO.	PART NUMBER	DESCRIPTION	QTY.
1	79202511	Long Discharge Chute SS	1	14	951-002-003	Whiz Lock Nut 3/8-16	4
	79202503	Short Discharge Chute SS	1		951-002-013	Whiz Lock Nut 3/8-16 SS	4
	79202497	Long Discharge Chute	1	15	951-005-036	Hex Mac Lock Nut 5/16-18	A/R
	79202484	Short Discharge Chute	1		951-003-015	Lock Nut 5/16-18 Nylon Insert SS	A/R
2	79202502	Adjustment Rod SS	3	16	79202483	Bearing Shield	2
	79202056	Adjustment Rod	3	17	701-35103	Cotter Pin 3/32 x 1 7/8	2
3	79202504	Rear Deflector SS	1	18	953-005-005	Pin-Hair Cotter 3/32 x 1 7/8	6
	79202485	Rear Deflector	1	19	950-001-296	Hex Head Cap Screw 1/4-20 x 2 Gr. 8	1
4	79202194	RH Side Deflector SS	1		950-001-315	Hex Head Cap Screw 1/4-20 x 2 SS	1
	79202058	RH Side Deflector	1	20	950-001-117	Hex Head Cap Screw 1/4-20 x 3/4 Gr. 5	3
5	79202193	LH Side Deflector SS	1		950-001-319	Hex Head Cap Screw 1/4-20 x 1/2 316 SS	3
	79202059	LH Side Deflector	1	21	952-002-011	Flat Washer 1/4 Wrt	3
6	79202505	Inner Deflector SS	1		952-004-062	Flat Washer 1/4 SS	3
	79202486	Inner Deflector	1	22	951-005-089	2-Way Lock Nut 1/4-20	5
7	79202512	Long Chute Deflector SS	1		061605	Lock Nut 1/4-20 SS	5
	79202496	Long Chute Deflector	1	23	950-002-014	Whiz Lock Bolt 3/8-16 x 1 1/4 Gr. 5	4
	79202506	Short Chute Deflector SS	1		950-001-344	Hex Head Cap Screw 3/8-16 x 1 1/4 SS	4
	79202493	Short Chute Deflector	1	24	952-002-003	Flat Washer 3/8	A/R
8	79202742	Pillow Block Bearing (Exposed Grease Zerk)	2		952-002-013	Flat Washer 3/8 SS	A/R
9	79202495	Lower Spinner Shaft (Long)	1	25	715-04017	Decal Warning-Moving Parts	1
	79202487	Lower Spinner Shaft (Short)	1	26	79202518	Chute Pin Long SS	1
10	79202488	Bushing	1		79202516	Chute Pin Long	1
11	79202507	Spinner Weldment SS	1	27	79202517	Chute Pin SS	1
	79202489	Spinner Weldment	1		79202515	Chute Pin	1
12	953-003-003	Pin Slotted Spring 1/4 x 1 3/4 Zinc Plated	1	28	79202716	Chute Hinge SS	2
13	950-003-060	Carriage Bolt 5/16-18 x 5/8 Gr. 5	A/R		79202715	Chute Hinge	2
	950-003-080	Carriage Bolt 5/16-18 x 3/4 SS	A/R	29	035-42063	Cotter Pin 1/4 x 1 1/4	1

ELECTRICAL ASSEMBLY

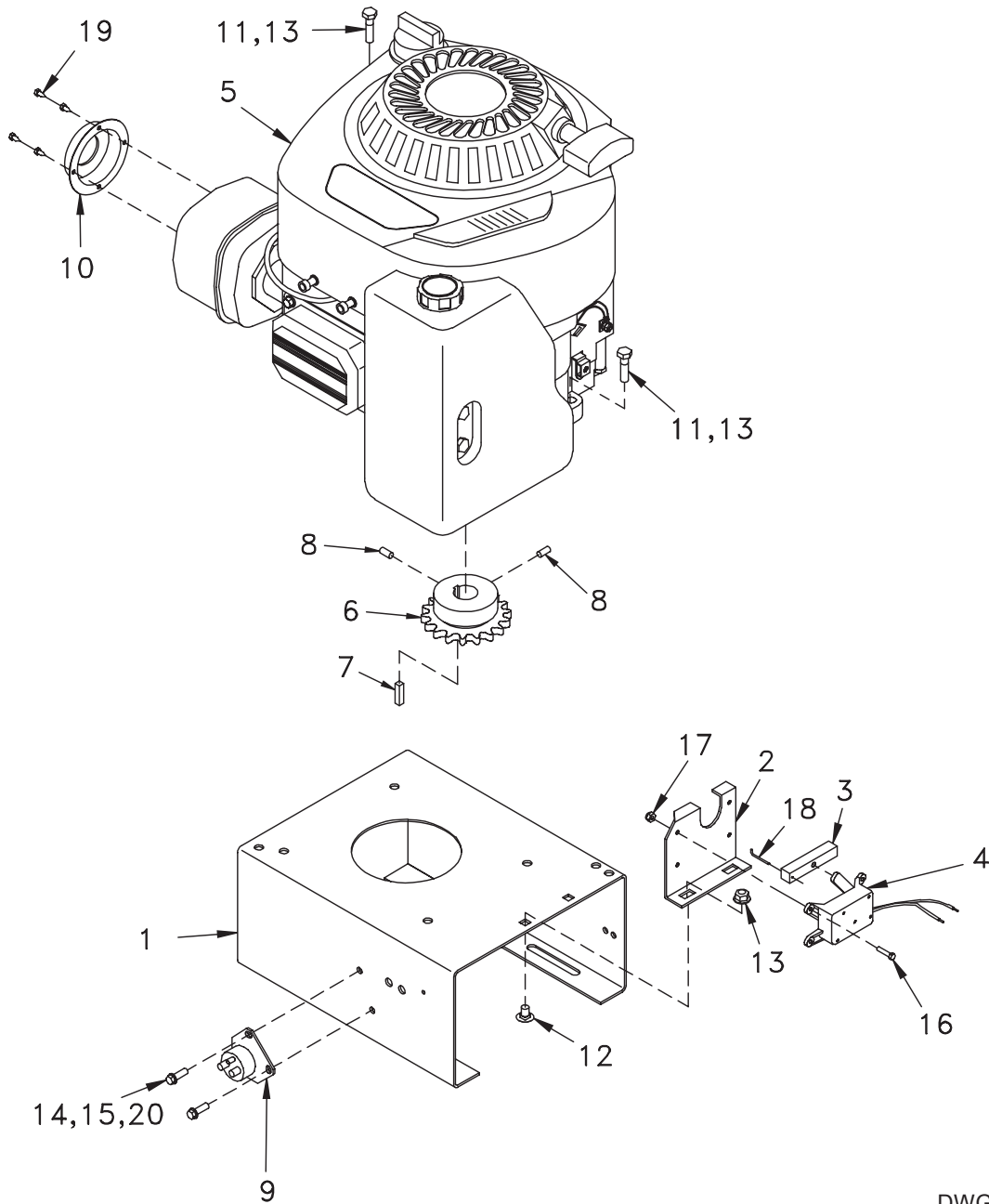


DWG. NO. 6034

REF. NO.	PART NUMBER	DESCRIPTION	QTY.	REF. NO.	PART NUMBER	DESCRIPTION	QTY.
1	36112004	Sander Control Box Assembly	1	9	79202397	Electrical Actuator	1
	79201729	Control Box Bracket Kit	1	10	79202084	Starter Solenoid	1
3	38812017	5 Foot Console Extension	1	11	38812023	Cable Assembly Solenoid To Starter	1
4	38812028	Wiring Harness Engine 3'	1	12	300-14002	Terminal Ring, 5/16"	1
5	38812022	Wire Assembly Negative Battery Black	1	13	951-001-003	Hex Nut 1/4-20	1
6	38812021	Wire Assembly Positive Battery Red	1	14	392-010-028	Self Tapping Screw #8-32 x 1/2 Shw Head T23	1
7	367-001-014	8" Cable Tie	2	15	715-02536	Caution Battery Tag	1
8		See Page 2	1	16	38812016	Cable, Console To Engine 23'	1

HINIKER GASOLINE ENGINE SPREADER

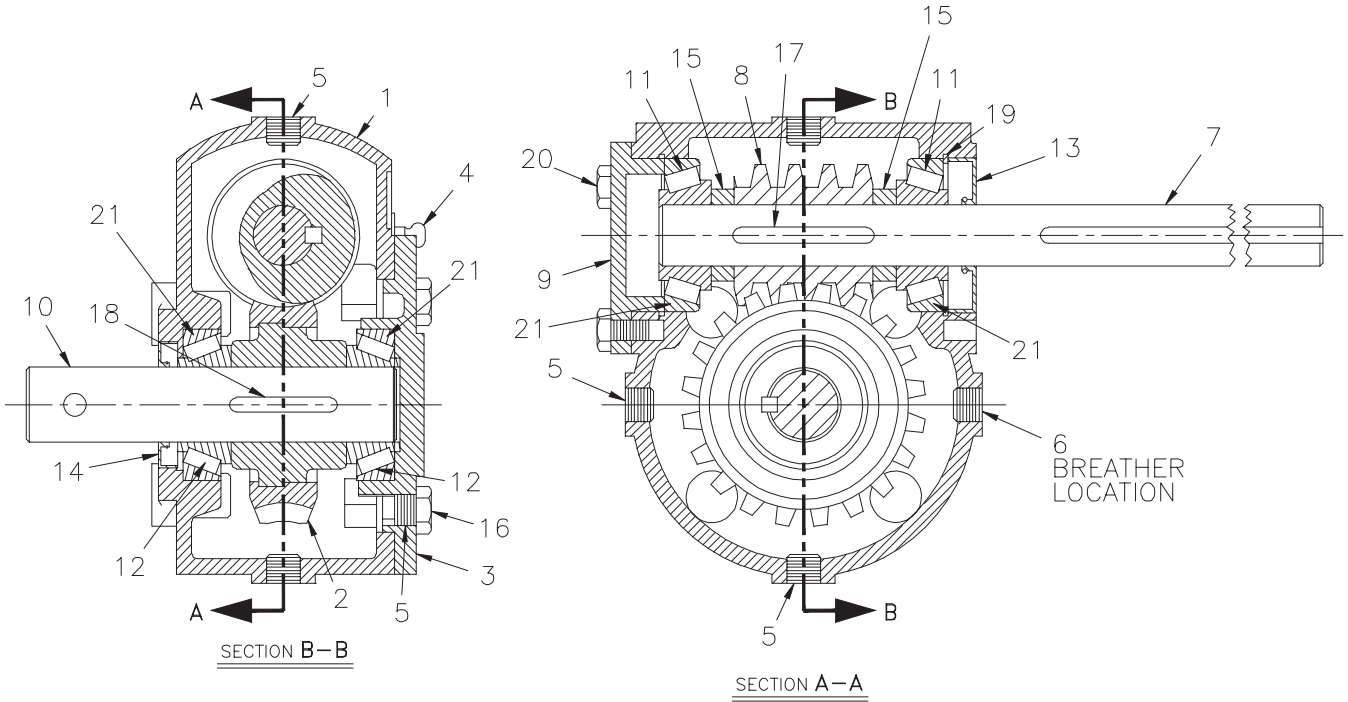
ENGINE ASSEMBLY



DWG. NO. 6033

REF. NO.	PART NUMBER	DESCRIPTION	QTY.	REF. NO.	PART NUMBER	DESCRIPTION	QTY.
1	79202447	Engine Mount Plate	1	12	950-003-002	Carriage Bolt 5/16-18 x 1/2 Gr. 5	2
	79202500	Engine Mount Plate SS	1		950-003-077	Carriage Bolt 5/16-18 x 5/8 SS	2
2	79201997	Throttle Control Bracket	1	13	951-005-036	Mac Lock Nut 5/16-18	6
	79202501	Throttle Control Bracket SS	1		951-003-015	Lock Nut 5/16-18 Nylon Insert SS	6
3	79201996	Throttle Control Arm	1	14	950-002-003	Whiz Lock Bolt 1/4-20 x 3/4	6
4	79202397	Throttle Control Actuator	1		950-001-345	Hex Head Cap Screw 1/4-20 x 3/4 SS	4
5	50000514	Engine 10.5 HP	1	15	060954	Lock Nut 1/4-20 Nylon Insert	2
6	50205013	Sprocket 12 Tooth, #40	1		061605	Lock Nut 1/4-20 Nylon Insert SS	2
7	702-53004	Straight Key 1/4 x 1	1	16	950-004-031	Machine Screw #8-32 x 3/4	3
8	950-008-015	Socket Head Set Screw 1/4-20 x 1/4	2	17	951-003-011	Lock Nut #8-32 Nylon Insert	3
9	79202084	Starter Solenoid	1	18	79201995	Pin	1
10	79202445	Muffler Deflector	1	19	950-005-027	Hex Head Self Tapping Screw #8-18 x 3/8	4
11	950-001-200	Hex Head Cap Screw 5/16-18 x 1 1/4 Gr. 5	4	20	952-003-010	Flat Washer 1/4 SAE	2
	950-001-343	Hex Head Cap Screw 5/16-18 x 1 1/4 SS	4		952-004-062	Flat Washer 1/4 SS	2

GEARBOX ASSEMBLY

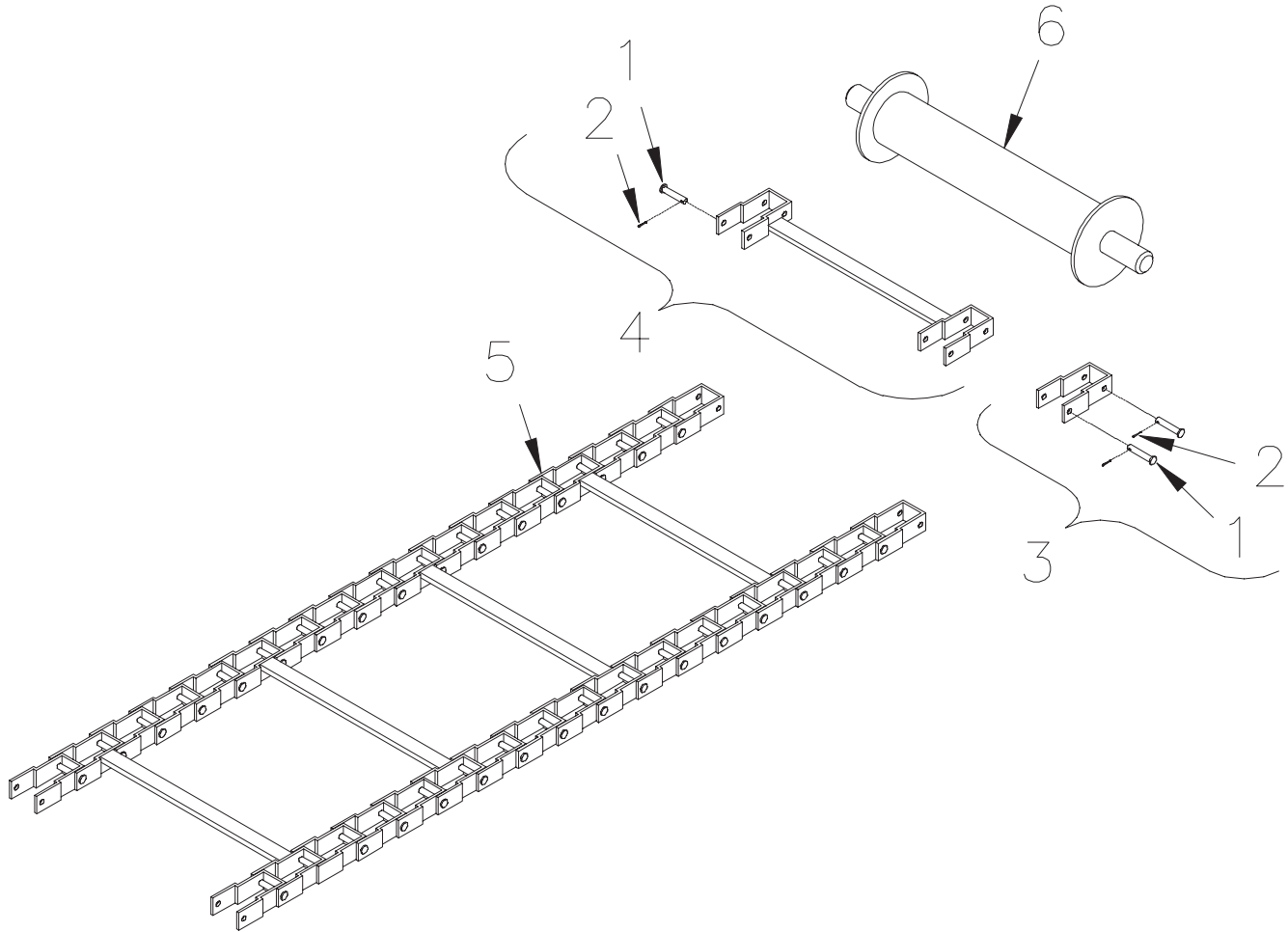


DWG. NO. 6385

REF. NO.	PART NUMBER	DESCRIPTION	QTY.	REF. NO.	PART NUMBER	DESCRIPTION	QTY.
1	79202999	Body (#182734)	1	12	79203007	Tapered Bearing Cone (#100927)	2
2	79203000	Worm Gear (#167738)	1	13	79203008	Oil Seal (#169601)	1
3	79203001	Output Cover (#183300)	1	14	79203009	Oil Seal (#183524)	1
4	955-001-002	Grease Fitting 1/4-28	1	15	79203015	Bushing (#183297)	2
5	79203016	Plug (#108546)	5	16	79203014	Bolt M10-1.5-16 Gr. 8.8 (#108080)	4
6	79203017	Breather (#108535)	1	17	79203010	Worm Key (#146848)	1
7	79203002	Input Shaft (#168118)	1	18	79203011	Gear Key (#151846)	1
8	79203003	Worm Thread (#167399)	1	19	79203012	Snap Ring (#139346)	1
9	79203004	Input Cover (#143878)	1	20	79203013	Bolt M8-1.25-16 Gr. 12.9 (#109686)	3
10	79203005	Output Shaft (#183739)	1	21	79203024	Tapered Roller Bearing Cup (#100937)	4
11	79203006	Tapered Bearing Cone (#100925)	2				

HINIKER GASOLINE ENGINE SPREADER

FRONT SHAFT & APRON CHAIN



DWG. NO. 6037

REF. NO.	PART NUMBER	DESCRIPTION	QTY.	REF. NO.	PART NUMBER	DESCRIPTION	QTY.
1	000-28670	Coupler Link Pin	A/R	5	79202398	Apron Chain Assembly 8' Hopper	1
2	953-001-016	Cotter Pin, 1/8 x 1/2 Long	A/R	5	79202399	Apron Chain Assembly 6 1/2' Hopper	1
3	000-28666	Chain Link With Pins (Repair Only)	A/R	6	79202459	Idler Shaft Weldment	1
4	79202570	Slat With Welded Links And Pins (Repair Only)	A/R				

SECTION 2

ELECTRIC DRIVEN

SPREADER COMPONENTS

PAGE 2	HOPPER ASSEMBLY
PAGE 4	DISCHARGE CHUTE ASSEMBLY
PAGE 6	ELECTRICAL ASSEMBLY
PAGE 8	FRONT SHAFT AND APRON CHAIN ASSEMBLY

HINIKER ELECTRIC DRIVEN SPREADER

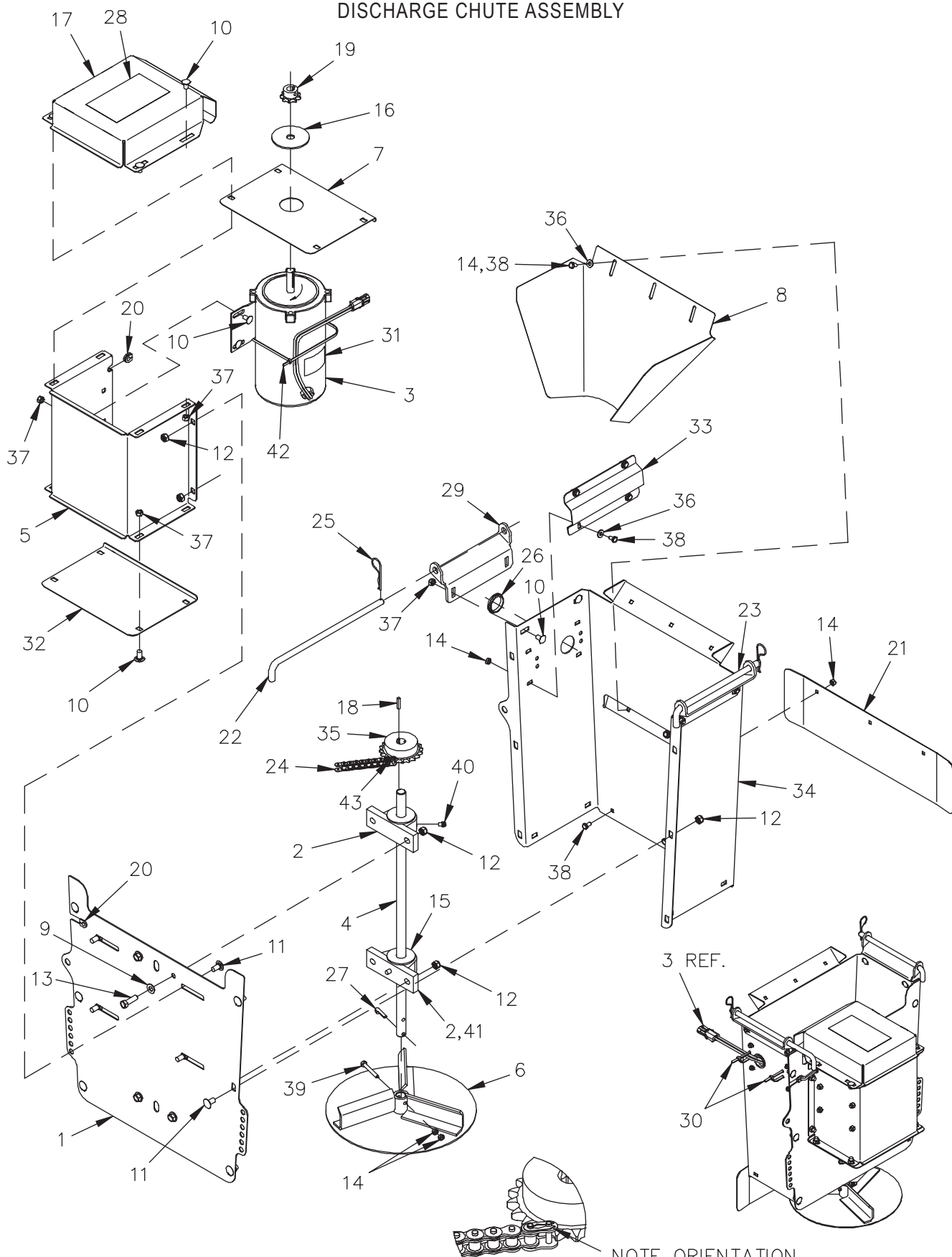
REF. NO.	PART NUMBER	DESCRIPTION	QTY.	REF. NO.	PART NUMBER	DESCRIPTION	QTY.
1	79203265	Electric Sander Weldment, 8 Ft	1	32	950-003-067	Carriage Bolt 3/8-16 x 1 SS	7
	79203269	Electric Sander Weldment, 6 1/2 Ft	1	33	720-02127	Pin Hood Latch	2
2	79202459	Idler Weldment	1	34	720-02126	Latch, Rubber	2
3	061937	Hex Nut 5/8-11 SS	2	35	79203278	Key 1/4 x 4 11/16	1
4	79203270	Drive Shaft Weldment	1	36	109953	Rivet-Pop 3/16 x 1/4 Stainless OEDH	8
5	79202405	2-Bolt Flange Bearing 206-18	1	37	720-02128	Cotter Pin 1/16 x 1/2 ZP	2
6	79202406	Take Up Bearing 205-16	2	38	36716025	Nylon Lanyard 8"	1
7	950-001-346	Hex Head Cap Screw 5/8-11 x 6 Full Thread SS	2	39	36716002	Dust Cap	1
8	061910	Hex Nut 3/8-16 SS	A/R	40	061916	3/8 Flat Washer SAE SS	A/R
9	79202398	8 Ft Apron Chain Assembly (See Sec. 2 P. 8)	1	41	38812038	Drive Motor Stub Cable	1
	79202399	6 1/2 Ft Apron Chain Assembly (See Sec. 2 P. 8)	1	42	79203279	Decal, Do Not Power Wash	1
10	79203272	Stiffener	1	43	950-001-286	Hex Head Cap Screw 3/8-16 x 1 SS	4
11	79203273	Spinner Clevis, LH	1	44	79203280	Gearbox, Electric Spreader	1
12	79202458	Front Wiper	1	45	79203281	Cover Support	1
13	79203274	Spinner Clevis, RH	1	46	79203282	Cover Weldment SS, Electric	1
14	79202566	Inverted V 8 Ft SS	1	47	79203283	Gearbox Mount, Electric Spreader	1
	79202567	Inverted V 6 1/2 Ft SS	1	48	79203284	Snap Bushing 1 1/2 x 1 5/16	1
15	061605	Nut 1/4-20 SS Nylon Lock Waxed	6	49	950-006-002	Hex Head Shoulder Bolt 5/16-18 x 5/8, 1/2 x 5/32	2
16	953-003-029	Spring Pin 5/32 x 1 1/4	1	50	71505163	Decal Hiniker	1
17	367-001-014	Plastic Cable Tie 3/16 x 8 Black	5	51	79203285	Spinner Rod	1
18	79203275	Inverted V Extension	2	52	950-001-334	Hex Head Cap Screw 1/4-20 x 3/4 SS	6
19	79202744	Inverted V Gusset SS	2	53	033-29011	3/8 Split Lock Washer SS	A/R
20	79202565	Strap	2	54	952-004-062	Washer-Flat 1/4 SS 5/8 OD x 9/32 ID	6
21	031-09103	Hex Head Cap Screw 3/8-16 x 3/4 SS	A/R	55	061917	Lock Washer 5/16 SS	10
22	79203276	Deflector	1	56	950-001-351	Hex Head Cap Screw M8-1.25 x 20 SS	10
23	951-002-013	Flanged Whiz Lock Nut 3/8-16 SS	A/R	57	951-002-011	Whiz Lock Nut 5/16-18 SS	2
24	950-003-082	Carriage Bolt 3/8-16 x 3/4 SS	8	58	950-001-288	Hex Head Cap Screw 1/2-13 x 1 SS	2
25	950-003-080	Carriage Bolt 5/16-18 x 3/4 SS	2	59	953-005-001	Pin-Hair Cotter 1/8 x 2 3/8	1
26	79201694	Chain Wiper	1	60	060854	Pin 1/8 x 3/4 Cotter	1
27	061923	Hex Nut 1/2-13 SS	2	61	950-001-344	Hex Head Cap Screw 3/8-16 x 1 1/4 SS	2
28	81004136	Decal Hiniker	2	62	951-003-001	Nut-Nylon Insert 5/16-18	2
29	79203277	Drive Motor, Electric Spreader	1	63	950-001-341	Hex Head Cap Screw 5/16-18 x 1/2 SS	2
30	720-02123	Clevis Bracket	2	64	061917	Lock Washer 5/16 Inch SS	2
31	720-02125	Base Bracket Hood Latch	2	65	952-003-012	Flat Washer 5/16 Inch SAE SS	6

S E C 2

HINIKER ELECTRIC DRIVEN SPREADER

DISCHARGE CHUTE ASSEMBLY

SEC 2



NOTE ORIENTATION
OF CHAIN CONNECTOR

DWG. NO. 6758

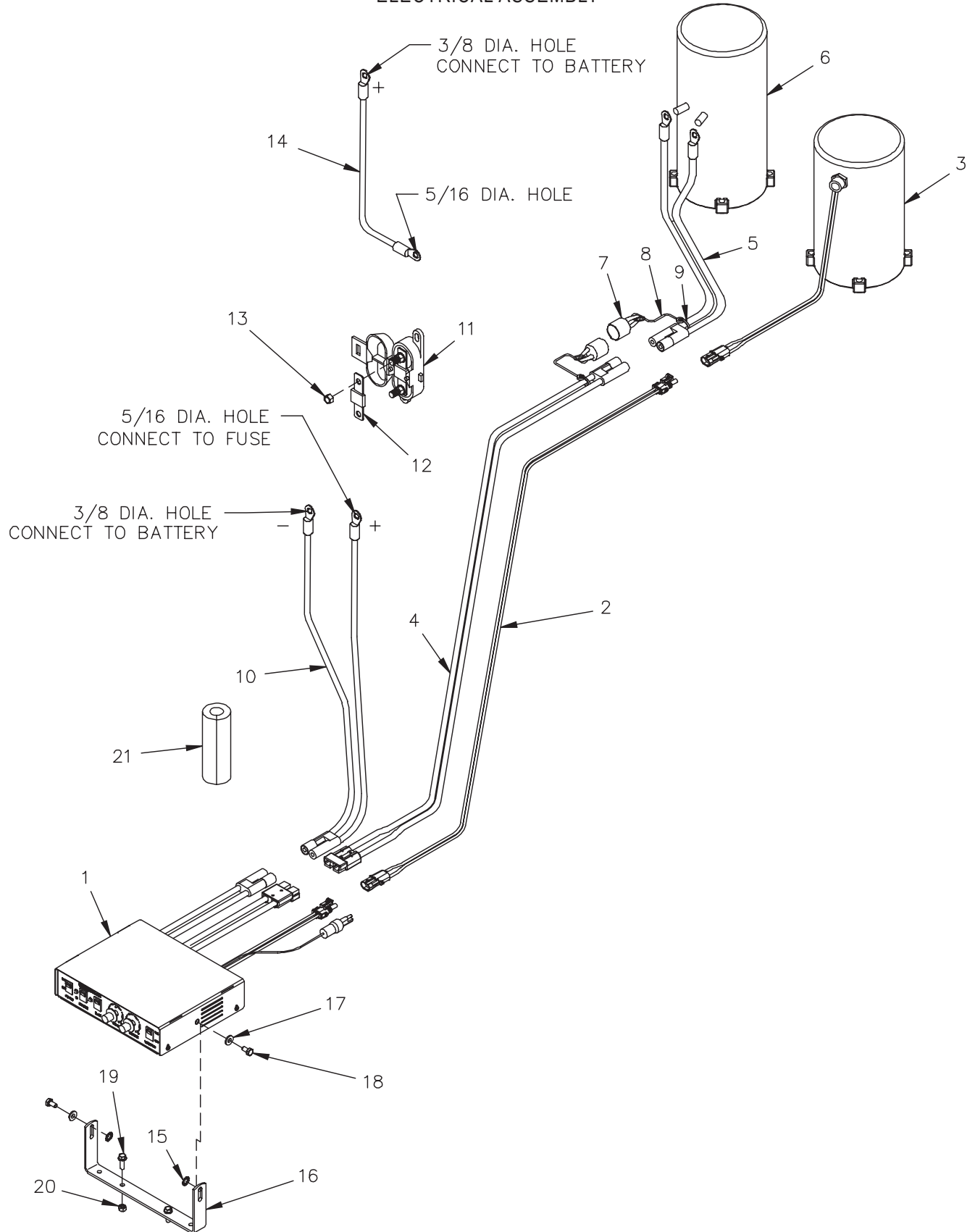
HINIKER ELECTRIC DRIVEN SPREADER

REF. NO.	PART NUMBER	DESCRIPTION	QTY.	REF. NO.	PART NUMBER	DESCRIPTION	QTY.
1	79203311	Rear Panel, Long Spinner	1	22	79202518	Chute Pin Long	1
	79203294	Rear Panel, Short Spinner	1	23	79202517	Chute Pin	1
2	79203295	2-Bolt Pillow Block Bearing 3/4 Bore	A/R	24	81006090	Chain #40RC Spinner 33P SS	1
3	79203318	Electric Motor, 12V, 1/3 HP, 56C	1	25	953-005-005	Pin-Hair Cotter 3/32 x 1 7/8	2
4	79203312	Spinner Shaft, Long	1	26	79203284	Snap Bushing 1 1/2 x 1 5/16	1
	79203296	Spinner Shaft, Short	1	27	035-42063	Cotter Pin 1/4 x 1 1/4	1
5	79203297	Spinner Motor Cover	1	28	71504138	Decal Warning, Rotating Parts	1
6	79202507	Spinner Weld SS	1	29	79203306	Spinner Pivot	2
7	79203298	Motor Top	1	30	367-001-014	Plastic Cable Tie 3/16 x 8 Black	2
8	79203313	Inner Deflector, Long	1	31	79203279	Decal, Do Not Power Wash	1
	79203299	Inner Deflector, Short	1	32	79203307	Bottom Motor Cover	1
9	061916	3/8 Flat Washer SAE SS	4	33	79203308	Wire Cover	1
10	950-003-077	Carriage Bolt 5/16-18 x 5/8 SS	16	34	79203314	Spinner Body, Long	1
11	950-003-082	Carriage Bolt 3/8-16 x 3/4 SS	A/R		79203309	Spinner Body, Short	1
12	951-002-013	Flange Whiz Lock Nut 3/8-16 SS	A/R	35	79203310	Sprocket 40B20, 3/4 Bore	1
13	950-001-344	Hex Head Cap Screw 3/8-16 x 1 1/4 SS	4	36	952-004-062	Washer-Flat 1/4 SS 5/8 OD x 9/32 ID	7
14	061605	Lock Nut 1/4-20 SS Nylon Waxed	12	37	951-002-011	Flanged Whiz Lock Nut 5/16-18 SS	16
15	79202483	Bearing Shield	2	38	950-001-319	Hex Head Cap Screw 1/4-20 x 1/2 SS	10
16	79203300	Motor Shield	1	39	950-001-315	Hex Head Cap Screw 1/4-20 x 2 SS	1
17	79203301	Spinner Drive Guard	1	40	203-50000	Zerk 1/4 28 Tapered Thread 45 Degree	A/R
18	702-53002	Key 3/16 x 1	1	41	79202742	Pillow Block Bearing 204-12GB (Long Chute Only)	1
19	79203302	Sprocket 40B9, 5/8 Bore	1	42	921-001-145	Plastic Cable Tie .083 x 24	1
20	79203303	Grommet, Spinner	2	43	81005983	#40 Connecting Link SS	1
21	79203304	Front Deflector	1				

S E C 2

HINIKER ELECTRIC DRIVEN SPREADER

ELECTRICAL ASSEMBLY



SEC
2

DWG. NO. 6759

HINIKER ELECTRIC DRIVEN SPREADER

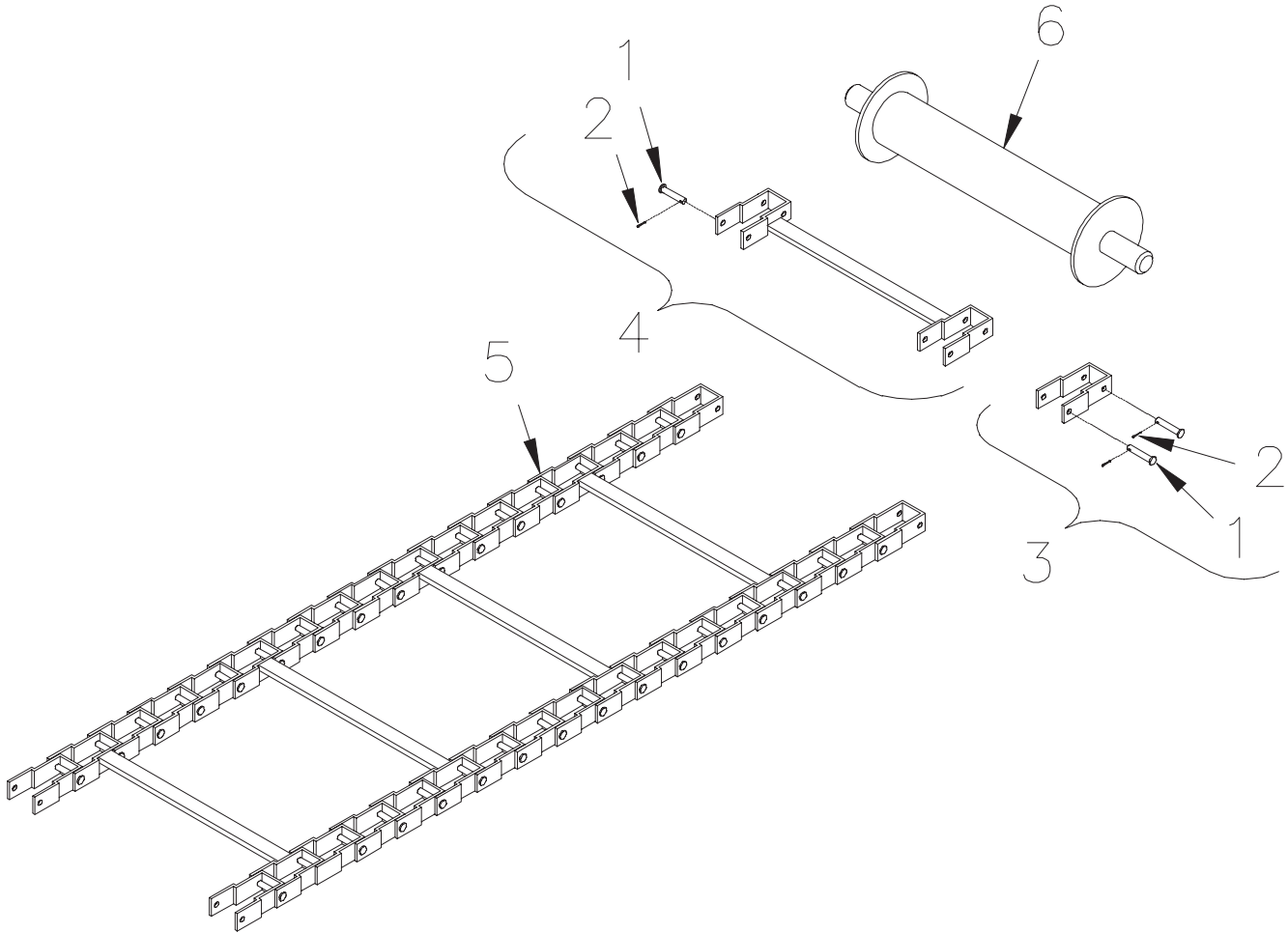
REF. NO.	PART NUMBER	DESCRIPTION	QTY.	REF. NO.	PART NUMBER	DESCRIPTION	QTY.
1	36012000	Electric Spreader Controller	1	12	39207037	Fuse 100 Amp	1
2	38812031	25 Ft Power Cable Spinner Motor	1	13	951-002-011	Whiz Lock Nut 5/16-18 SS	2
3	79203318	Electric Motor Assembly, Spinner	1	14	38813012	Cable, Solenoid	1
4	38812030	Power Cable Drive Motor 25 Ft	1	15	952-004-008	External Lock Washer 1/4	2
5	38812038	Drive Motor Stub Cable	1	16	79203334	Controller Mount Bracket	1
6	79203277	Drive Motor Electric Spreader	1	17	952-004-062	Flat Washer 1/4 Inch SS	2
7	36716002	Dust Cap	A/R	18	950-001-319	Hex Head Cap Screw 1/4-20 x 1/2 SS	2
8	36716025	Nylon Lanyard 8"	A/R	19	950-002-003	Whiz Lock Bolt 1/4-20 x 3/4	2
9	367-001-014	Cable Tie, Black 3/16 x 8	A/R	20	951-002-001	Whiz Lock Nut 1/4-20	2
10	38812029	Cable Battery Power 12 Ft	1	21	39107001	Foam Grommet 4" Long	1
11	39207038	Fuse Holder	1				

2 S E C S

HINIKER ELECTRIC DRIVEN SPREADER

FRONT SHAFT & APRON CHAIN

SEC
2



DWG. NO. 6037

REF. NO.	PART NUMBER	DESCRIPTION	QTY.	REF. NO.	PART NUMBER	DESCRIPTION	QTY.
1	000-28670	Coupler Link Pin	A/R	5	79202398	Apron Chain Assembly 8' Hopper	1
2	953-001-016	Cotter Pin, 1/8 x 1/2 Long	A/R	5	79202399	Apron Chain Assembly 6 1/2' Hopper	1
3	000-28666	Chain Link With Pins (Repair Only)	A/R	6	79202459	Idler Shaft Weldment	1
4	79202570	Slat With Welded Links And Pins (Repair Only)	A/R				

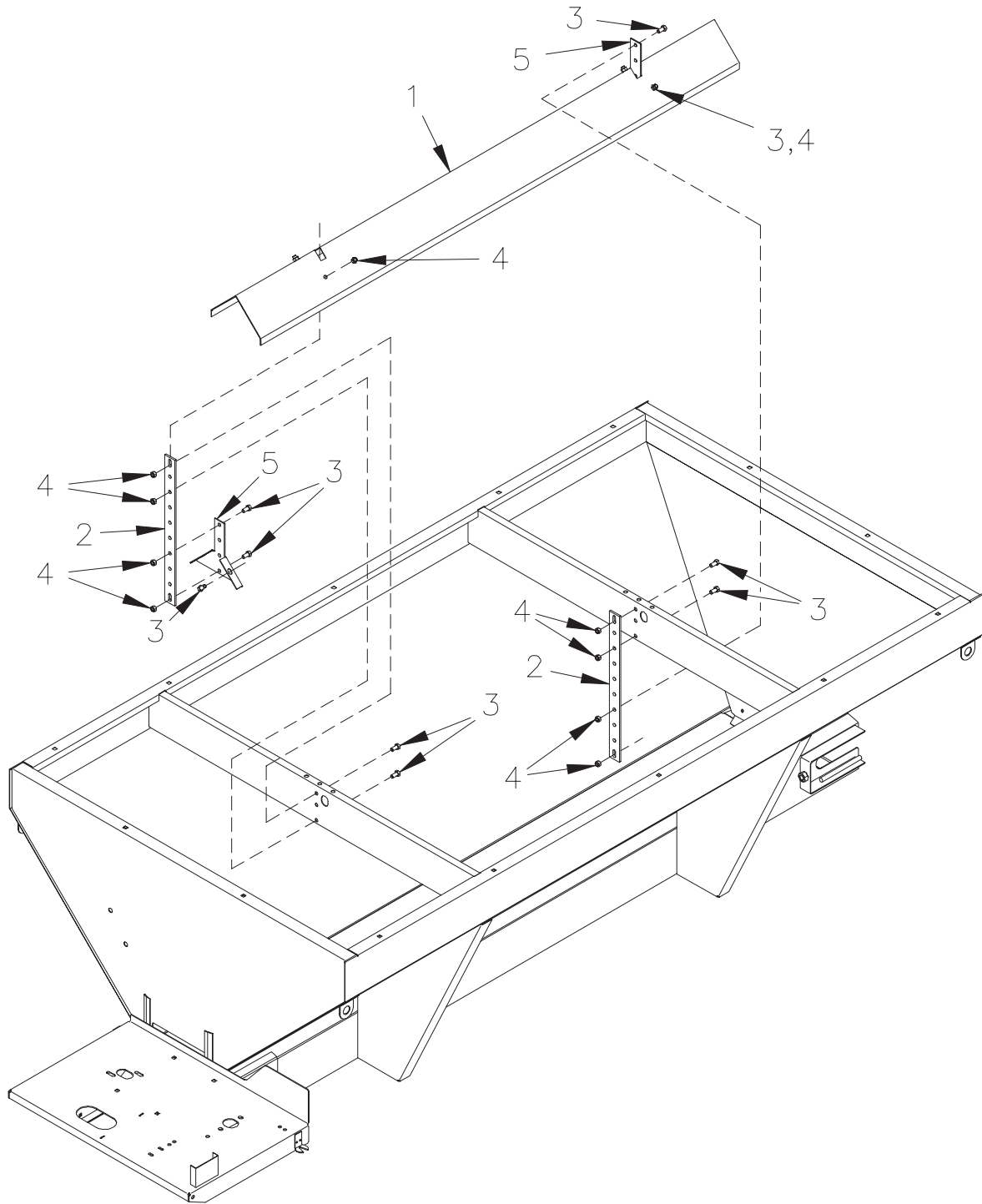
SECTION 3

OPTIONAL EQUIPMENT

PAGE 2	INVERTED V OPTION
PAGE 3	HINGED HOPPER GRIDS
PAGE 3	TARP KIT
PAGE 4	TIEDOWN KIT
PAGE 4	BRAKE LIGHT KIT
PAGE 5	VIBRATOR KIT 12V (ELECTRIC MODEL ONLY)

HINIKER SPREADER

INVERTED V ASSEMBLY



Adjustable Inverted V Kit No. 79202394 6 1/2 FT. Hopper, SS
 Adjustable Inverted V Kit No. 79202042 8 FT. Hopper
 Adjustable Inverted V Kit No. 79202395 8 FT. Hopper, SS

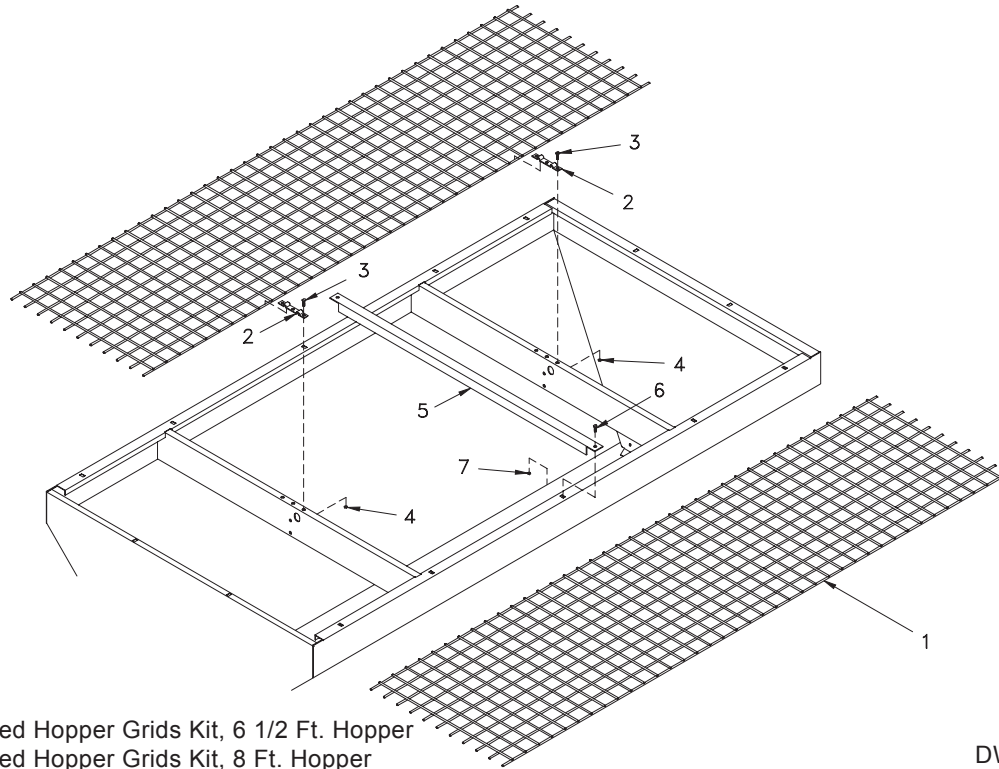
DWG. NO. 6305

REF. NO.	PART NUMBER	DESCRIPTION	QTY.	REF. NO.	PART NUMBER	DESCRIPTION	QTY.
1	79201998	Inverted V, 8' Hopper	1	3	950-001-089	Hex Head Cap Screw 3/8-16 x 3/4 Gr. 5	12
	79202566	Inverted V, 8' Hopper SS	1	031-09103	Hex Head Cap Screw 3/8-16 x 3/4 SS		12
	79202135	Inverted V, 6 1/2' Hopper	1	4	951-005-003	Lock Nut 3/8-16 Mac Lock	12
	79202567	Inverted V, 6 1/2' Hopper SS	1	951-002-013	Flanged Whiz Lock Nut 3/8-16 SS		12
2	400-15052	Strap	2	5	79202743	Inverted V Gusset	2
	79202565	Strap SS	2	79202744	Inverted V Gusset SS		2

HINIKER SPREADER

SECTION 3

HINGED HOPPER GRIDS OPTION

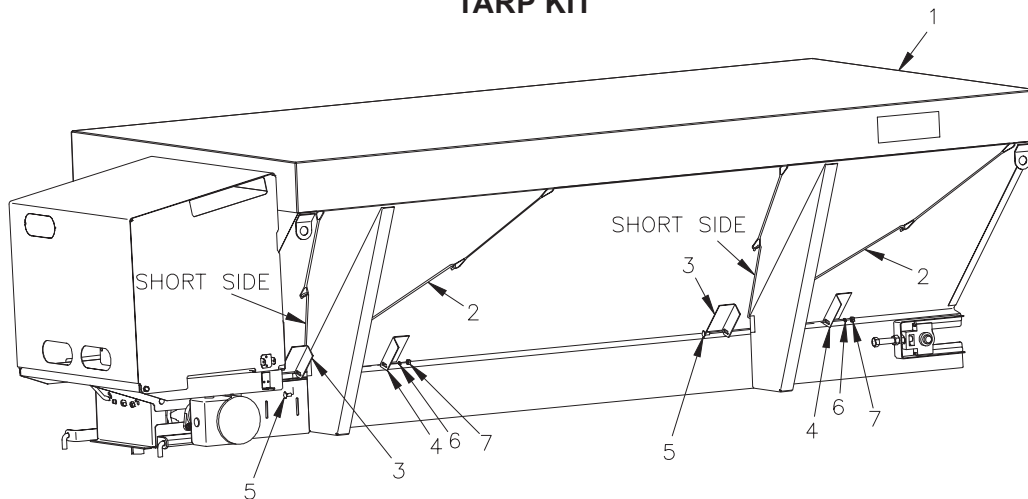


79202391 Hinged Hopper Grids Kit, 6 1/2 Ft. Hopper
79202392 Hinged Hopper Grids Kit, 8 Ft. Hopper

DWG. NO. 6015

REF. NO.	PART NUMBER	DESCRIPTION	QTY.	REF. NO.	PART NUMBER	DESCRIPTION	QTY.
1	79202561	Screen, 8 Ft. Hopper	2	4	951-002-011	Flanged Whiz Lock Nut 5/16-18 SS	6
	79202562	Screen, 6 1/2 Ft. Hopper	2	5	79203146	Middle Grid Support	1
2	79202009	Screen Holdown	2	6	031-09103	Hex Head Cap Screw 3/8-16 x 3/4 SS	2
3	950-001-330	Hex Head Cap Screw 5/16-18 x 3/4 SS	6	7	951-002-013	Whiz Lock Nut 3/8-16 SS	2

TARP KIT



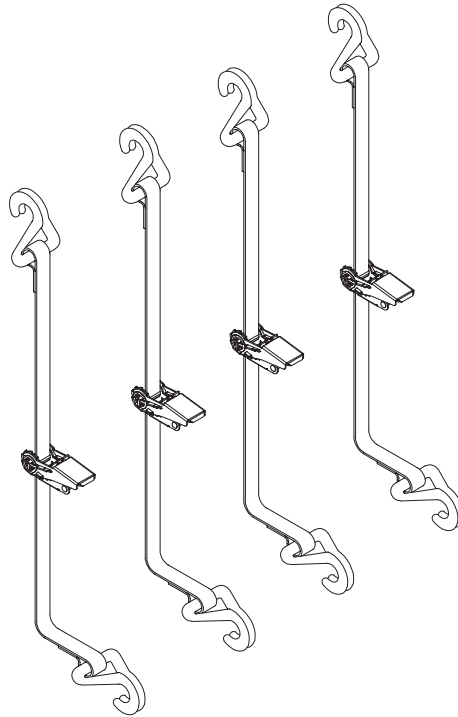
79203036 6 1/2 Foot Spreader Tarp Assembly
79203037 8 Foot Spreader Tarp Assembly

DWG. NO. 6460

REF. NO.	PART NUMBER	DESCRIPTION	QTY.	REF. NO.	PART NUMBER	DESCRIPTION	QTY.
1	79203033	Tarp Shurco 8' Spreader	1	4	79203030	RH Tarp Bracket	4
	79203032	Tarp Shurco 6 1/2' Spreader	1	5	950-003-080	Carriage Bolt 5/16-18 x 3/4 SS	4
2	79203031	Tarp Hook	4	6	952-003-012	SAE Flat Washer 5/16 Inch SS	4
3	79203029	LH Tarp Bracket	4	7	951-002-011	Whiz Lock Nut 5/16-18 SS	4

HINIKER SPREADER

TIE DOWN KIT

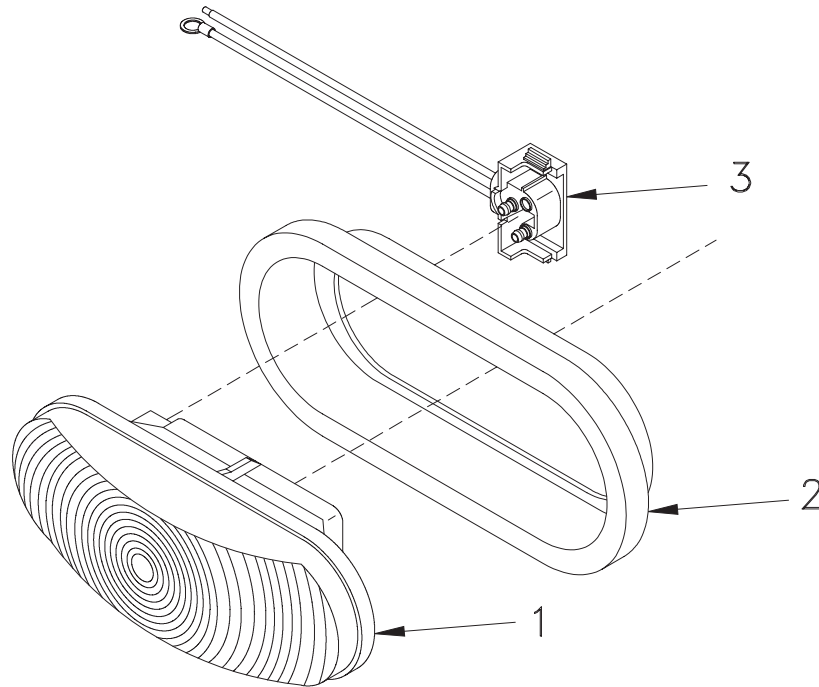


79202393 Truck Hold Down Kit

DWG. NO. 6039

REF. NO.	PART NUMBER	DESCRIPTION	QTY.	REF. NO.	PART NUMBER	DESCRIPTION	QTY.
1	79202400	Ratchet Tiedown	4				

BRAKE LIGHT KIT



79202581 Brake Light Assembly/Instructions

DWG. NO. 3674

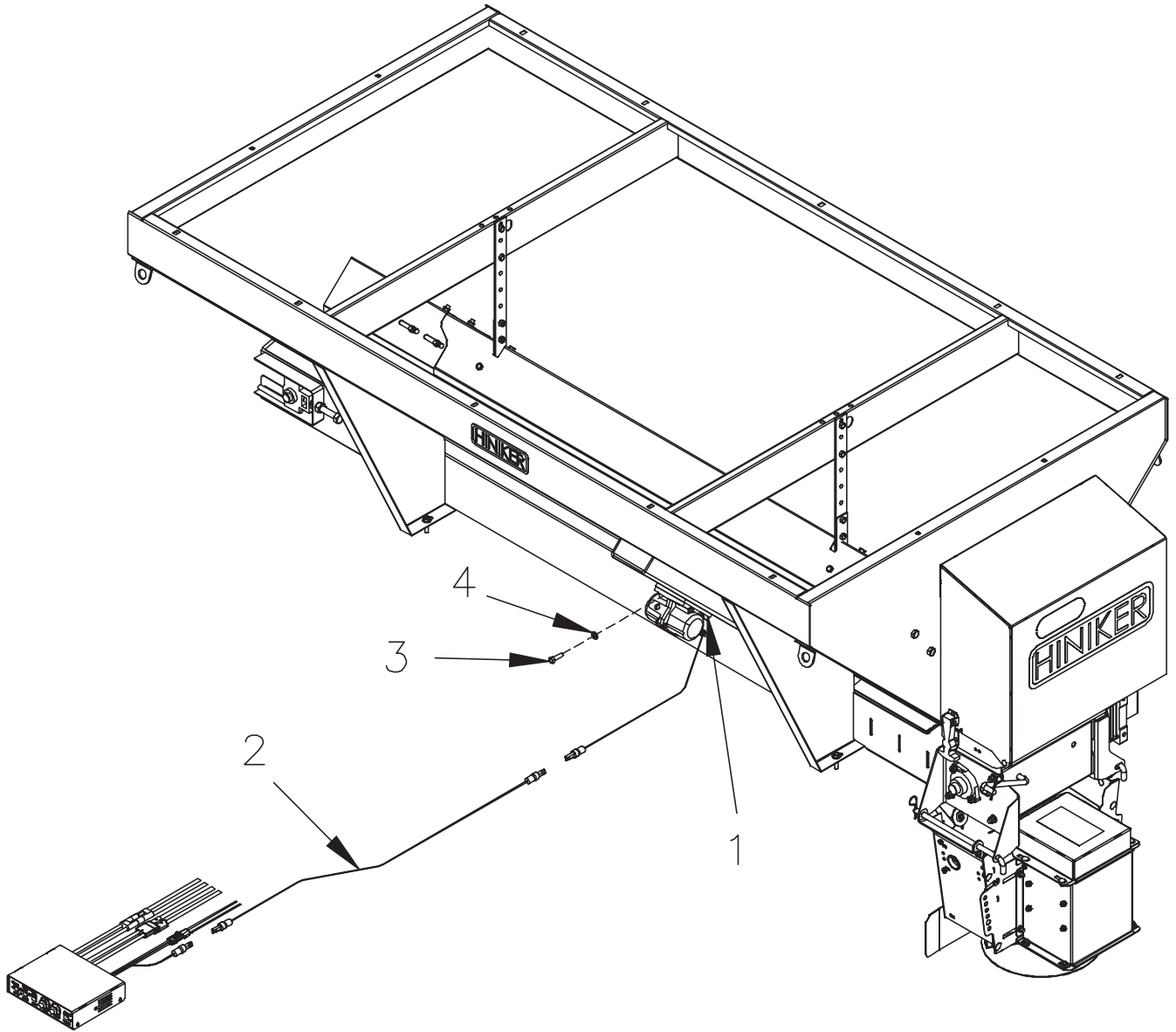
REF. NO.	PART NUMBER	DESCRIPTION	QTY.	REF. NO.	PART NUMBER	DESCRIPTION	QTY.
1	79202091	Lamp	1	3	79202093	Plug	1
2	79202092	Grommet	1		79202089	Brake Light Assembly	

SEC
3

HINKER SPREADER

Vibrator Kit 12V (Electric Model Only)

SECTION 3



79203317 Vibrator 12V Kit

DWG. NO. 6760

REF. NO.	PART NUMBER	DESCRIPTION	QTY.	REF. NO.	PART NUMBER	DESCRIPTION	QTY.
1	79203322	Vibrator 12V Z200	1	3	950-001-344	Hex Head Cap Screw 3/8-16 x 1 1/4 SS	4
2	38812032	Vibrator Motor Power Wires	1	4	033-29011	Lock Washer 3/8 Inch SS	4